

**Beautiful and Durable****THE ROLLER SHADES COLLECTION**

Beautiful, durable and available in an assortment of colors and patterns, Worldwide's collection of roller shades offers a host of attractive features:

- ◆ Plain bottom or decorative hems
- ◆ Fabrics in light-filtering, room darkening, and sun control weaves
- ◆ Metal spring roller or clutch roller
- ◆ Decorative valance systems featuring
  - Cassette
  - Fascia
  - Decorative padded cornice
  - Channel valance
- ◆ Battery-operated motorization available



*Decorative Roller Shades are the preferred choice for homes, schools or commercial applications.*

Beautiful and Durable

**FABRIC INFORMATION SHEET**

FABRIC STYLE	PRICE GROUP	FABRIC WIDTH	MULTI-DIRECTIONAL
FIBERGLASS MATTE	A	72"	•
FIBERGLASS MOIRE	A	72"	•
FIBERGLASS BOUCLE	A	72"	•
TFR	B	72"	•
NEWPORT	C	94"	

**SHEERWEAVE FABRICS**

FABRIC STYLE	PRICE GROUP	FABRIC WIDTH	MULTI-DIRECTIONAL	OPENESS FACTOR
1000	D	36", 48", 60", 72", 84"	•	10%
2000	E	72", 96"	•	5%
2100	E	72", 96"	•	5%
2360	E	63", 98"	•	10%
2390	E	63", 98"	•	5%
2410	H	63", 98"	•	3%
3000	F	72", 84", 96"		14%
4000	G	63", 84", 98"	•	5%
4100	G	63", 84"	•	10%
4400	H	63", 84", 98"	•	3%
4800	I	96"		1%
5000	J	74"	•	5-10%

*NOTE: When the material is turned width for length, please specify whether other shades in the order should be turned as well.*

**Contract pricing available on 15 shades or more. Call customer service for a quote.**

## Beautiful and Durable

PRICE GROUP <b>A</b>		<b>ROLLER SHADES</b>								
		◆ FABRICS								
		• Fiberglass Matte • Moire • Boucle								
WIDTH TO ►		37"	46"	55"	73"	79"	85"	97"	109"	121"
WINDOW OPENING	36"	64	81	89	110	142	180	215	269	323
	48"	72	89	97	123	155	199	238	295	353
	60"	76	99	110	135	167	217	259	319	378
	72"	81	106	118	144	185	238	283	347	412
	84"	84	110	124	153	189	248	298	363	428
	96"	92	118	131	161	202	264	312	373	435
	108"	97	131	147	183	215	282	335	399	463
120"	105	138	156	192	219	287	342	413	483	

NOTE:

**Matte, Moire and Boucle** – Widths wider than 73" and longer than 64" will have a visible seam. Fabric will be turned width for length.

NOTE: Hem pocket will be heat sealed.

NOTE: When decorative hems are ordered, matching gimp may be added on the hem pocket or above the bottom bar upon request. When spring roller shades are ordered with decorative hem, the bottom bar option is not available.

### DECORATIVE HEM STYLES (Add To Price of Shade)

WIDTH TO ►	37"	46"	55"	73"	79"	85"	97"	109"	121"
STYLE A	20	26	30	38	44	48	56	64	72
STYLES B, C, D	42	50	56	66	74	84	94	106	116

NOTE: Small cassette available up to 73" x 72". Shades larger than 73" x 72" will require the large cassette. Cassette system comes standard with fabric covered headrail for a finished look. Cassette may be ordered without fabric upon request.

### CASSETTE SYSTEM (Add To Price of Shade)

WIDTH TO ►	37"	46"	55"	73"	79"	85"	97"	109"	121"
	86	96	116	146	178	212	234	264	298

PRICE GROUP <b>B</b>		<b>ROLLER SHADES</b>								
		◆ FABRICS								
		• TFR Cotton Cloth								
WIDTH TO ►		37"	46"	55"	73"	79"	85"	97"	109"	121"
WINDOW OPENING	36"	81	103	114	145	177	200	233	285	320
	48"	95	116	130	161	188	215	269	338	436
	60"	107	125	143	187	204	238	309	392	468
	72"	115	133	158	202	219	251	354	415	498
	84"	125	143	175	219	245	287	394	453	538
	96"	147	161	189	245	280	308	430	484	583
	108"	161	179	207	272	308	341	465	491	630
120"	177	195	223	291	338	368	394	583	661	

NOTE:

**TFR** – Maximum width 73". Widths wider than 73" and lengths longer than 65" will have a visible seam. Fabric will be turned width for length.

NOTE: Bottom bar will be used. Heat seal hem pocket not available.

### DECORATIVE HEM STYLES (Add To Price of Shade)

WIDTH TO ►	37"	46"	55"	73"	79"	85"	97"	109"	121"
STYLE A	20	26	30	38	44	48	56	64	72
STYLES B, C, D	42	50	56	66	74	84	94	106	116

NOTE: When decorative hems are ordered, matching gimp can be added above the bottom bar upon request at no charge. When spring roller shades are ordered with decorative hem, the bottom bar will not be used. Hem pocket will be sewn.

### CASSETTE SYSTEM (Add To Price of Shade)

WIDTH TO ►	37"	46"	55"	73"	79"	85"	97"	109"	121"
	86	96	116	146	178	212	234	264	298

NOTE: Small cassette available up to 73" x 72". Shades larger than 73" x 72" will require the large cassette. Cassette system comes standard with fabric covered headrail for a finished look. Cassette may be ordered without fabric upon request.

## SPECIFICATIONS FOR ORDERING (Options, Surcharges and Decorative Pulls) See Page RS 8

## Beautiful and Durable

PRICE GROUP		<b>ROLLER SHADES</b>								
<b>C</b>		◆ FABRICS								
		• Newport								
WIDTH TO >		37"	46"	55"	73"	79"	85"	97"	109"	121"
WINDOW OPENING	36"	130	166	182	214	240	265	303	338	392
	48"	143	186	204	243	266	304	392	479	622
	60"	161	208	226	279	290	339	426	535	666
	72"	174	229	247	303	316	357	448	557	712
	84"	183	248	268	339	382	449	548	635	765
	96"	219	279	300	366	436	479	578	709	830
	108"	238	295	316	408	479	531	636	760	903
	120"	261	319	338	435	506	583	682	778	944

**NOTE:**

**Newport** – Maximum width 94". Widths wider than 94" and lengths longer than 86" will have a visible seam. Fabric will be turned width for length.

**NOTE:** Bottom bar will be used. Heat seal hem pocket not available.

### DECORATIVE HEM STYLES (Add To Price of Shade)

WIDTH TO >	37"	46"	55"	73"	79"	85"	97"	109"	121"
STYLE A	20	26	30	38	44	48	56	64	72
STYLES B, C, D	42	50	56	66	74	84	94	106	116

**NOTE:** When decorative hems are ordered, matching gimp can be added above the bottom bar upon request at no charge. When spring roller shades are ordered with decorative hem, the bottom bar will not be used. Hem pocket will be sewn.

### CASSETTE SYSTEM (Add To Price of Shade)

WIDTH TO >	37"	46"	55"	73"	79"	85"	97"	109"	121"
	86	96	116	146	172	212	234	264	298

**NOTE:** Small cassette available up to 73" x 72". Shades larger than 73" x 72" will require the large cassette. Cassette system comes standard with fabric covered headrail for a finished look. Cassette may be ordered without fabric upon request.

PRICE GROUP		<b>ROLLER SHADES</b>								
<b>D</b>		◆ FABRICS								
		• Sheerweave 1000								
WIDTH TO >		37"	46"	55"	73"	79"	85"	97"	109"	121"
WINDOW OPENING	36"	86	109	121	154	187	212	246	301	338
	48"	100	123	137	171	199	227	285	358	462
	60"	113	132	151	197	215	251	327	414	495
	72"	122	141	167	214	232	265	374	438	527
	84"	132	151	185	232	259	304	417	479	569
	96"	155	171	200	259	296	326	455	512	617
	108"	171	190	219	287	326	360	492	519	667
	120"	187	206	236	308	358	390	417	617	699

**NOTE:**

**Style 1000** – Maximum width 85". Widths wider than 85" and lengths longer than 77" will have a visible seam. Fabric will be turned width for length.

**NOTE:** Hem pocket will be heat sealed.

### CASSETTE SYSTEM (Add To Price of Shade)

WIDTH TO >	37"	46"	55"	73"	79"	85"	97"	109"	121"
	86	96	116	146	178	212	234	264	298

**NOTE:** Small cassette available up to 73" x 72". Shades larger than 73" x 72" will require the large cassette. Cassette system comes standard with fabric covered headrail for a finished look. Cassette may be ordered without fabric upon request.

## SPECIFICATIONS FOR ORDERING (Options, Surcharges and Decorative Pulls) See Page RS 8

PO Box 46945 • Philadelphia, PA 19160 • Shipping: 171 E. Hunting Park Avenue • Phila., PA 19124 • Ph: 215-455-2266 • Fax: 877-462-3302

## Beautiful and Durable

PRICE GROUP		<b>ROLLER SHADES</b>								
<b>E</b>		◆ FABRICS								
		• Sheerweave 2000, 2100, 2390, 2360								
WIDTH TO >		37"	46"	55"	73"	79"	85"	97"	109"	121"
WINDOW OPENING	36"	112	139	151	179	226	276	341	394	441
	48"	122	160	175	209	229	262	367	415	538
	60"	139	179	196	241	251	293	388	462	576
	72"	149	198	213	261	273	308	474	481	615
	84"	159	214	231	293	331	389	515	549	662
	96"	189	241	259	316	378	415	551	615	718
	108"	205	255	273	353	427	459	602	656	780
120"	226	276	292	376	438	505	665	673	816	

**NOTE:**

Styles 2000, 2100 – Maximum width 97". Widths wider than 97" and longer than 89" will have a visible seam. Fabric will be turned width for length.

Styles 2390, 2360 – Maximum width 99". Widths wider than 99" and longer than 91" will have a visible seam. Fabric will be turned width for length.

NOTE: Hem pocket will be heat sealed.

<b>CASSETTE SYSTEM</b> (Add To Price of Shade)		37"	46"	55"	73"	79"	85"	97"	109"	121"
WIDTH TO >		86	96	116	146	178	212	234	264	298

NOTE: Small cassette available up to 73" x 72". Shades larger than 73" x 72" will require the large cassette. Cassette system comes standard with fabric covered headrail for a finished look. Cassette may be ordered without fabric upon request.

PRICE GROUP		<b>ROLLER SHADES</b>								
<b>F</b>		◆ FABRICS								
		• Sheerweave 3000								
WIDTH TO >		37"	46"	55"	73"	79"	85"	97"	109"	121"
WINDOW OPENING	36"	102	127	138	163	206	253	312	360	403
	48"	112	146	160	191	210	240	335	380	491
	60"	127	163	180	220	229	268	355	423	527
	72"	137	181	195	239	249	282	433	440	562
	84"	145	196	211	268	302	356	471	502	605
	96"	173	220	237	289	345	380	503	562	656
	108"	187	233	249	323	390	419	551	600	713
120"	206	253	267	344	400	461	608	615	746	

**NOTE:**

Style 3000 – Maximum width 97". Widths wider than 97" and longer than 89" will have a visible seam. Fabric will be turned width for length.

NOTE: Hem pocket will be heat sealed.

<b>CASSETTE SYSTEM</b> (Add To Price of Shade)		37"	46"	55"	73"	79"	85"	97"	109"	121"
WIDTH TO >		86	96	116	146	178	212	234	264	298

NOTE: Small cassette available up to 73" x 72". Shades larger than 73" x 72" will require the large cassette. Cassette system comes standard with fabric covered headrail for a finished look. Cassette may be ordered without fabric upon request.

### SPECIFICATIONS FOR ORDERING (Options, Surcharges and Decorative Pulls) See Page RS 8

PO Box 46945 • Philadelphia, PA 19160 • Shipping: 171 E. Hunting Park Avenue • Phila., PA 19124 • Ph: 215-455-2266 • Fax: 877-462-3302

## Beautiful and Durable

PRICE GROUP		<b>ROLLER SHADES</b>								
<b>G</b>		◆ FABRICS								
		• Sheerweave 4000, 4100								
WIDTH TO ►		37"	46"	55"	73"	79"	85"	97"	109"	121"
WINDOW OPENING	36"	106	131	142	169	213	261	322	372	417
	48"	116	151	166	198	217	248	347	392	508
	60"	131	169	186	228	237	277	367	437	544
	72"	141	187	201	247	258	291	448	454	581
	84"	150	202	218	277	312	368	487	519	626
	96"	179	228	244	299	357	392	520	581	678
	108"	193	241	258	333	403	433	569	620	737
	120"	213	261	276	356	413	477	628	636	771

**NOTE:**

Style 4000, 4100 – Maximum width 99". Widths wider than 99" and longer than 91" will have a visible seam. Fabric will be turned width for length.

NOTE: Hem pocket will be heat sealed.

### CASSETTE SYSTEM (Add To Price of Shade)

WIDTH TO ►	37"	46"	55"	73"	79"	85"	97"	109"	121"
	86	96	116	146	178	212	234	264	298

NOTE: Small cassette available up to 73" x 72". Shades larger than 73" x 72" will require the large cassette. Cassette system comes standard with fabric covered headrail for a finished look. Cassette may be ordered without fabric upon request.

PRICE GROUP		<b>ROLLER SHADES</b>			
<b>H</b>		◆ FABRICS			
		• Sheerweave 4400, 2410			
WIDTH TO ►		37"	46"	55"	73"
WINDOW OPENING	36"	114	142	154	195
	48"	125	164	180	228
	60"	142	183	201	263
	72"	153	202	218	285
	84"	163	219	236	319
	96"	194	247	265	345
	108"	210	261	280	385
	120"	231	283	299	410

**NOTE:**

Style 4400, 2410 – Maximum width 99". Widths wider than 99" and longer than 91" will have a visible seam. Fabric will be turned width for length.

NOTE: Hem pocket will be heat sealed.

### CASSETTE SYSTEM (Add To Price of Shade)

WIDTH TO ►	37"	46"	55"	73"	79"	85"	97"	109"	121"
	86	96	116	146	178	212	234	264	298

NOTE: Small cassette available up to 73" x 72". Shades larger than 73" x 72" will require the large cassette. Cassette system comes standard with fabric covered headrail for a finished look. Cassette may be ordered without fabric upon request.

### SPECIFICATIONS FOR ORDERING (Options, Surcharges and Decorative Pulls) See Page RS 8

## Beautiful and Durable

PRICE GROUP		<b>ROLLER SHADES</b>								
<b>I</b>		◆ FABRICS								
		• Sheerweave 4800								
WIDTH TO ►		37"	46"	55"	73"	79"	85"	97"	109"	121"
WINDOW OPENING	36"	123	153	166	197	249	305	377	435	487
	48"	135	177	194	231	253	290	405	458	594
	60"	153	197	217	266	277	323	429	510	636
	72"	165	218	235	288	301	340	523	531	679
	84"	175	236	255	323	365	430	569	606	731
	96"	209	266	286	349	417	458	608	679	792
	108"	226	282	301	390	471	506	665	725	861
120"	249	305	322	416	483	557	734	743	901	

**NOTE:**

Style 4800 – Maximum width 97". Widths wider than 97" and longer than 89" will have a visible seam. Fabric will be turned width for length.

NOTE: Hem pocket will be heat sealed.

<b>CASSETTE SYSTEM</b> (Add To Price of Shade)		37"	46"	55"	73"	79"	85"	97"	109"	121"
WIDTH TO ►		86	96	116	146	178	212	234	264	298

NOTE: Small cassette available up to 73" x 72". Shades larger than 73" x 72" will require the large cassette. Cassette system comes standard with fabric covered headrail for a finished look. Cassette may be ordered without fabric upon request.

PRICE GROUP		<b>ROLLER SHADES</b>								
<b>J</b>		◆ FABRICS								
		• Sheerweave 5000								
WIDTH TO ►		37"	46"	55"	73"	79"	85"	97"	109"	121"
WINDOW OPENING	36"	167	207	225	267	337	412	509	588	658
	48"	182	239	261	312	342	391	547	619	802
	60"	207	267	293	360	374	437	579	689	860
	72"	223	295	318	389	407	460	707	718	918
	84"	237	319	344	437	493	581	768	819	988
	96"	282	360	386	472	563	619	821	918	1070
	108"	305	381	407	526	637	684	898	979	1163
120"	337	412	435	561	653	753	991	1004	1218	

**NOTE:**

Style 5000 – Maximum width 96". Widths wider than 96" and lengths longer than 84" will have a visible seam. Fabric will be turned width for length.

NOTE: Hem pocket will be heat sealed.

<b>CASSETTE SYSTEM</b> (Add To Price of Shade)		37"	46"	55"	73"	79"	85"	97"	109"	121"
WIDTH TO ►		86	96	116	146	178	212	234	264	298

NOTE: Small cassette available up to 73" x 72". Shades larger than 73" x 72" will require the large cassette. Cassette system comes standard with fabric covered headrail for a finished look. Cassette may be ordered without fabric upon request.

### SPECIFICATIONS FOR ORDERING (Options, Surcharges and Decorative Pulls) See Page RS 8

**OPTIONS AND SURCHARGES:**

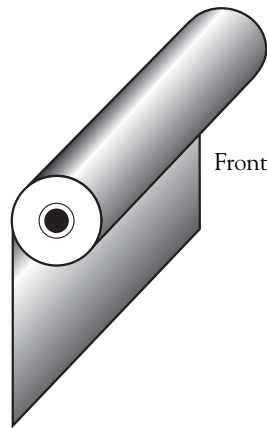
Spring Roller Controls .....	n/c
Clutch Roller Controls with Nylon or Metal Bead Chain .....	n/c
Reverse Roll .....	n/c
Standard Brackets .....	n/c
Motorized Shades Available .....	call for pricing
Cassette System .....	see price chart
Fascia System .....	call for pricing
Stainless Steel Chain .....	add \$5.00 per shade

Special Control Lengths .....	n/c
Decorative Hem Styles .....	See Price Charts
Decorative Pulls .....	See Sample Book
Metal Pull.....	\$2.50
Rayon Ring Pull .....	\$1.25
Rayon Tassel.....	\$2.00
Plastic Shade Grip.....	\$1.50

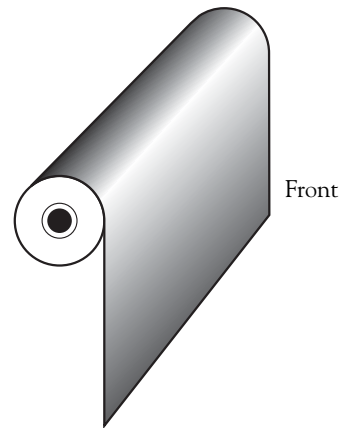
**PLEASE SPECIFY WHEN ORDERING:**

1. **Type of measurement:** Inside Mounting (IB) or Outside Mounting (OB)
2. **Control side for clutch rollers only:** Right or Left
3. **Type of roll:**  
 Regular – fabric rolls off front off roller. (See illustration)  
 Reverse – fabric rolls off rear of roller. (See illustration)  
 (Shade will be made as regular roll. Reverse roll available upon request)
4. **Nylon Chain** is standard. Metal chain is available upon request.
5. **Chain Length:** Unless specified, chain length will be 2/3 of window height.
6. **Brackets:** specify extension brackets if additional clearance is needed.
7. **Cassette:** specify if cassette should NOT be fabric wrapped. Reverse roll not available on cassette system.

**Regular Roll**



**Reverse Roll**



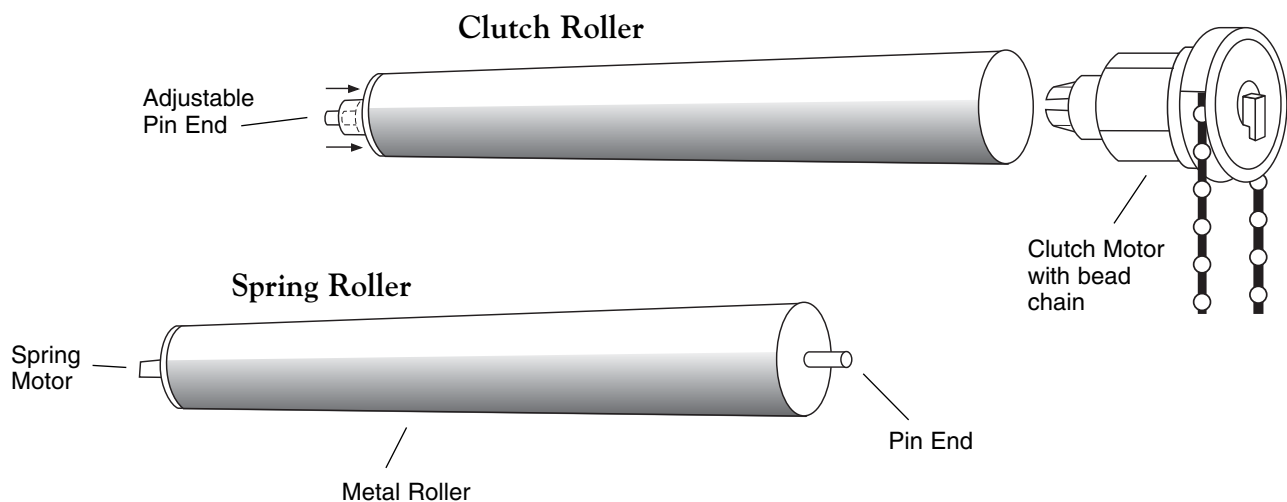
## ROLLER SHADE SYSTEMS

### SPRINGLESS CLUTCH ROLLER SHADE SYSTEMS

- Clutch shades raise and lower smoothly and easily.
  - Adjacent shades can be set to matching heights.
  - Shades hold any desired position precisely.
  - Shades can weigh up to 24 pounds each.
  - Shades install easily with universal brackets.
1. Worldwide clutch shades are custom made to customer's ordered size.
  2. Maximum width and heights of the shades will vary based on type of fabric and whether the fabric will need to be turned width for length and may require a splice.
  3. Aluminum roller tube may be 1-1/4", 1-5/8 or 1 3/4" diameter depending on width and length of shade and fabric type. If aesthetic consistency is preferred, please request same diameter tube for all shades. Surcharge may apply.
  4. All fiberglass & Sheerweave shades will have a heat sealed hem pocket. TFR and Newport shades will be finished with a fabric wrapped bottom bar.
  5. Beaded cord will be either #10 nylon bead chain or qualified #10 plated steel ball chain. Stop balls and tension device will be included with each shade.

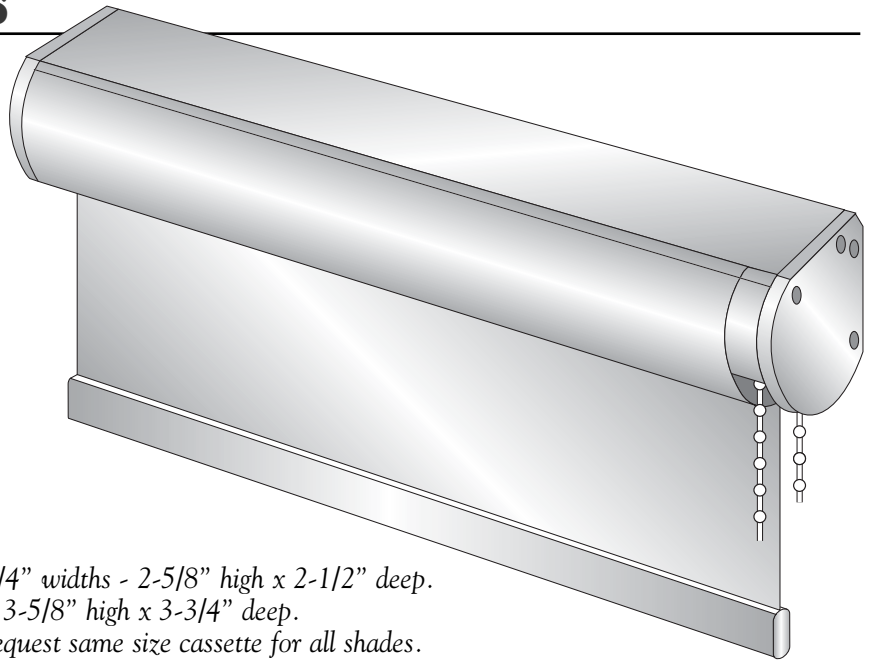
### SPRING ROLLER SHADE SYSTEMS

- Spring rollers offer child safety with no cords or chain.
  - Can be raised or lowered with ease.
  - Shades install easily on inside or outside of window frame or ceiling.
  - Various brackets are available to suit your needs. See back of order form.
1. Worldwide spring roller shades are custom made to customer's ordered size.
  2. Maximum width and heights of the shades will vary based on type of fabric and whether the fabric will need to be turned width for length and may require a splice.
  3. Metal roller tube may be 1" or 1-1/4" diameter depending on width and length of shade and fabric type.
  4. Fabric will be attached to roller using high strength double faced tape.
  5. Shade will be finished with a fabric wrapped bottom bar. When decorative pulls are required, pocket will be heat sealed or sewn. Bottom bar will not be used.



## CASSETTE SYSTEMS

- Sophisticated, stylish look
- Complements any interior design scheme
- Shade is completely concealed from view
- Installs easily with universal mounting clips
- Cassette may be wrapped with fabric for finished look. However, sides will not be covered

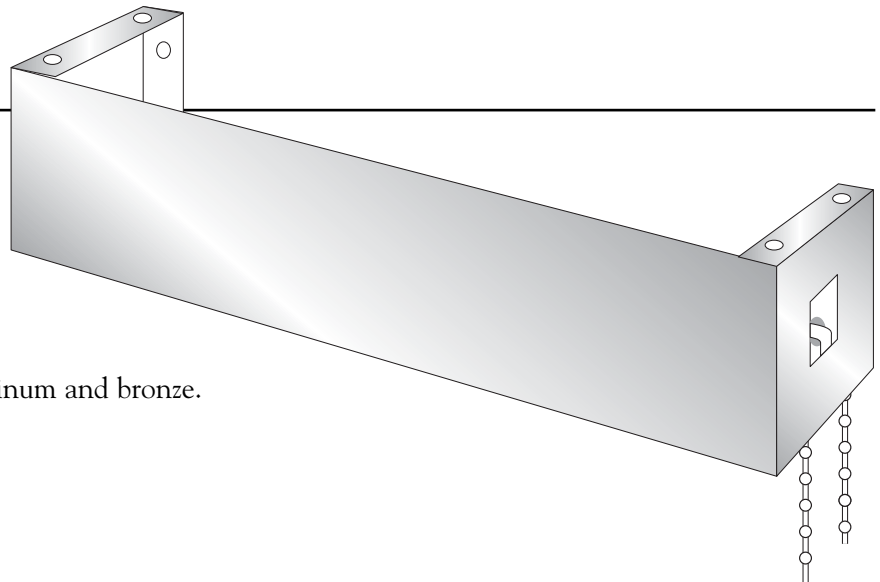


*Small cassette for shades ordered up to 73-1/4" widths - 2-5/8" high x 2-1/2" deep.  
Widths over 73" will require large cassette - 3-5/8" high x 3-3/4" deep.  
If aesthetic consistency is preferred, please request same size cassette for all shades.  
Heavy fabrics may require the large cassette to be used for longer length shades.*

See Price Group A - J for cassette pricing.

## FASCIA SYSTEMS

- Completely conceals shade roller
- Ideal for commercial installations
- Will accommodate heavy fabrics such as screens and blackouts
- Made to measure – easy to install
- Available in white, ivory, brushed aluminum and bronze.



Fascia 3" height - depth 2-1/4"

Fascia 4" height - depth 2-13/16"

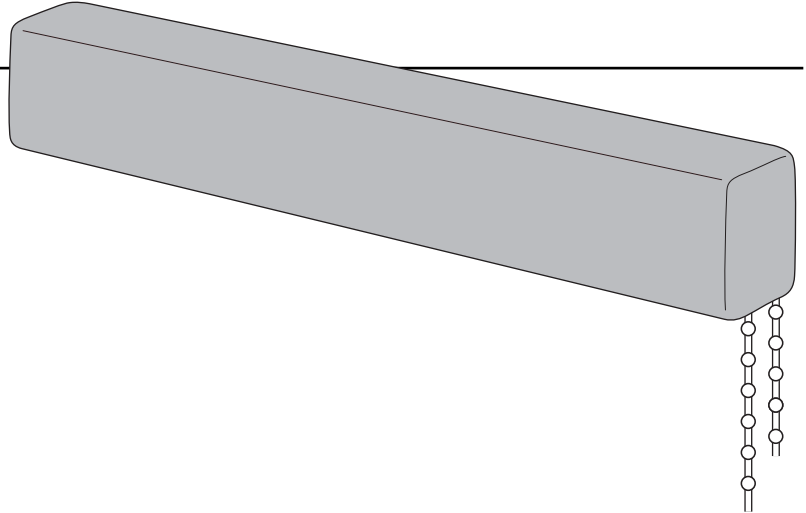
Price at \$10.00/ft

Brackets \$13.50/pair

## **PADDED CORNICE**

- Cornice is covered with roller shade fabric to match roller shade
- Shade is completely concealed from view
- Installs with standard L brackets

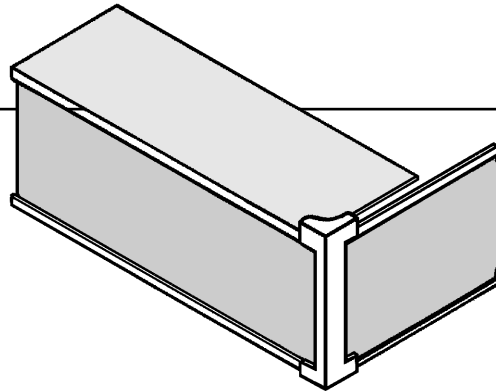
Price at \$2.75/inch



## **CHANNEL VALANCE**

- Same valance used for vertical blinds
- Shade fabric will be inserted into channel
- Shade completely concealed from view

Price at \$10.00/ft



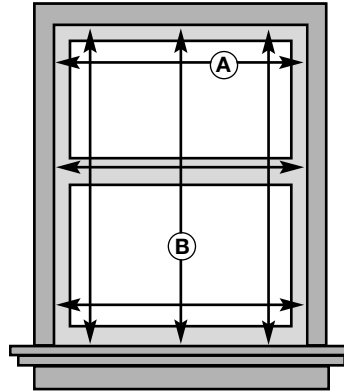
Beautiful and Durable

## MEASURING GUIDELINES

Accurate measurements are essential, for both correct pricing and proper fit. Use only a hard-edged ruler or steel tape, never a cloth tape. For inside mounts, width measurements should be rounded down to the nearest 1/8" to prevent shade from binding against the window casing.

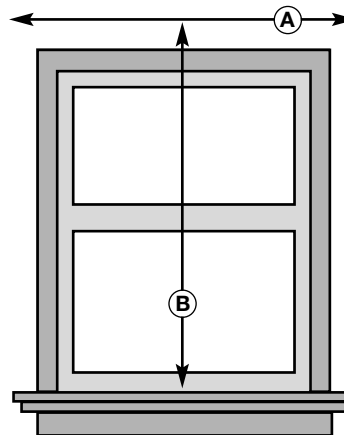
### INSIDE MOUNTING (IB)

- For **Width (A)**, measure across the window casing from one inside edge to the other in three places, top, middle, and bottom. Record the smallest width rounded down to the nearest 1/8".
- For **Length (B)**, measure the inside area from the top inside edge down to the top of the sill in three places, left, middle and right. Record the longest length rounded up to the nearest 1/8".
- The factory will make all the necessary deductions for inside mount.



### OUTSIDE MOUNTING (OB)

- For **Width (A)**, measure from one edge of the casing to the other. Record the measurement rounded up to the nearest 1/8".
- For **Length (B)**, measure from the top of the window sill up to the desired top of the shade. Again, record the measurements rounded up to the nearest 1/8".
- Outside mounted shades are fabricated to order dimensions.



## CARE & CLEANING

### ROUTINE CLEANING

Roller Shades are easy to care for. Occasional dusting with a feather duster or low suction vacuuming with a brush attachment is all that is needed to keep these blinds looking like new. They may also be gently cleaned with a soft cloth using an over-the-counter blind cleaner.

## WARRANTY

### LIFETIME LIMITED WARRANTY

Roller Shades carry a lifetime limited warranty that covers the blinds for as long as the original retail purchaser owns them, provided that the blinds were properly installed. It's the customer's assurance of satisfaction and quality.

