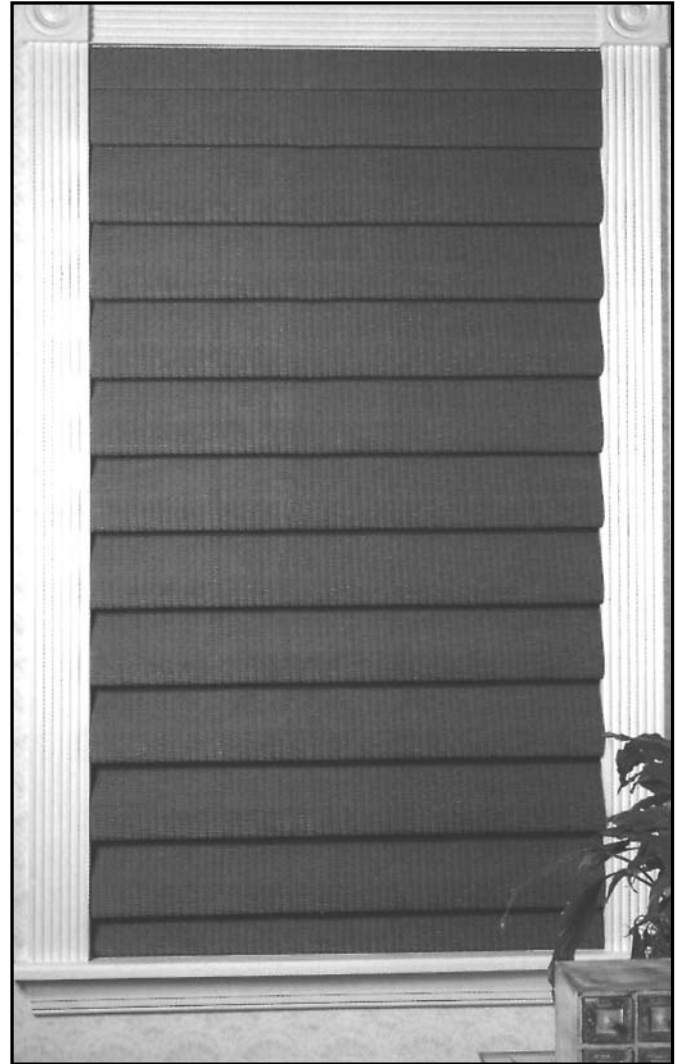


THE ROMAN SHADES COLLECTION

Choose the classic Roman-style shade – gentle folds of fabric imbued with a sculptural quality – or the flat Roman style whereby the primary focus is on the fabric itself.

Features include:

- ◆ A variety of fabric options offering differing degrees of privacy and light control
- ◆ A matching, 3-inch, fabric-covered headrail included for an uninterrupted, finished appearance
- ◆ Neutral-colored backing for a uniform exterior look
- ◆ Available in a top-down/bottom-up configuration for multiple viewing options
- ◆ Our roman shade lift system creates uniform folds and prevents sags or unevenness
- ◆ Continuous cord system for reliability and ease of use



Classic & Flat Roman

Roman Shades

Whether fully lowered or raised, Roman Shades make any room look more distinctive. Their rich, sumptuous appearance has always been associated with luxury and complemented by, unmatched functional excellence.

- ◆ 17 different fabrics, 107 different colors and 2 pleat options will be sure to compliment any style or individual preference.
- ◆ Each fabric comes with a white backing to accomplish a uniform custom appearance to the outside.
- ◆ A wide range of opacity levels, including 14 different room darkening options, will be sure to meet any light filtration needs and desired privacy.
- ◆ Proven hardware system will ensure years of smooth, reliable operation, uniform fabric folds and no sagging.
- ◆ Popular design options include the Continuous Cord, Top-Down / Bottom-Up and Two-on-One Headrail.
- ◆ Both classic and flat pleat styles are accompanied by a matching fabric valance.

VALANCE

Each Roman Shade offers a 3” matching fabric-covered valance, which gives the shade a free-flowing, uninterrupted, finished look. When raised, the fabric gathers beneath the valance for a distinctive, stacked appearance.

THE BOTTOM RAIL

The **Classic Roman** patented bottom rail does not interrupt the flow of the fabric and is virtually invisible throughout the operation of the shade.

The **Flat Roman** bottom rail sits neatly on the sill protecting the fabric and is fashionably coordinated completing a high style presentation.

LIFT AND SUPPORT SYSTEM

The Roman Shade lift system creates uniform folds throughout the shade. Spacing supports enable the shade to operate without creating sags or unevenness. In addition, when in the fully raised position, Roman Shades have the appearance of a decorative top treatment.

OPACITY

Roman Shades are available in a variety of fabric types, each offering a different degree of privacy and light control. Whether you want light to fill a room or prefer softer, more diffused light – or require more privacy and light control – you’ll find a Roman Shade to fit your needs. Look for the opacity rating on the back of each swatch deck.

Example of privacy levels

| | | | | | | | | | | | |
|---|---|---|---|---|---|---|---|---|---|---|---|
| P | R | I | V | A | C | Y | L | E | V | E | L |
| 1 | 2 | 3 | 4 | 5 | | | | | | | |

- ◆ **Room Darkening Fabrics** - Select fabrics are available with a Room Darkening option. These fabric collections are as follows: Avalon, Brushed Suede and Briarwood. Room Darkening fabrics come with an opaque liner adhered to the back. Testing has shown these Room Darkening fabrics to block 99% of all light. The style of the shade selected (Classic Style versus Flat Style) will impact the percentage of light blocked. This option must be requested at the time of order. A room darkening liner cannot be added after fabrication.

STYLE OPTIONS

CLASSIC ROMAN

Classic Roman style shades incorporate the sculptural qualities of a traditional Roman shade to add dimension and interest to your windows. The Classic Roman style shade, when raised, finishes into a matching 3" valance.



FLAT ROMAN

Flat Roman style shades offer a subtle approach to the classic. In the lowered position the fabric is the main focus. When raised, the shade folds up like the Classic Roman style shade, finishing into a matching 3" valance.



SURCHARGE OPTIONS

TOP DOWN/BOTTOM UP

Features:

- ◆ Designed to maintain privacy while still allowing viewing and natural light to be available.
- ◆ Ideal for air circulation on double-hung windows.
- ◆ Available with standard cord lock only.
- ◆ Measure the same as a standard shade.
- ◆ Available in both Classic Roman and Flat Roman.
- ◆ Price as standard shade and add 25%.



TWO-ON-ONE HEADRAIL

- ◆ Two shades have a single headrail and operate independently.
- ◆ Some shade specifications require two shades on one headrail. The single panel width for a shade varies per fabric and is listed in parenthesis next to the fabric name on each grid.
- ◆ Available in Classic Roman style only.
- ◆ Price as single shades plus \$52.00 retail surcharge.



CONTINUOUS CORD SYSTEM

- ◆ The Continuous Cord System is an integrated clutch locking system which utilizes a continuous loop pull cord. The shade will automatically stop and lock in position when the cord is released.
- ◆ Cord lengths on Continuous Cord Shades are available in lengths from 2-feet to 15-feet at 1-foot intervals. Please specify when ordering.
- ◆ Avalon, Briarwood and Brushed Suede Room Darkening fabrics are only available for use with the Continuous Cord Loop System.
- ◆ Due to weight requirements, certain shade sizes require the continuous cord system in order to function properly. When continuous cord is required, no surcharge will be applied to the price of the shade. Weight requirements vary per fabric and are outlined on each price grid under the heavy rule.
- ◆ Measuring note (outside mount only): The Continuous Cord headrail will always be approximately $\frac{3}{8}$ " wider than the fabric. If you desire the fabric to cover a specified area on an outside mount, add $\frac{3}{8}$ " to the width when the space allows.
(Never follow this rule on an inside mount.)
- ◆ Available in both the Classic Roman & Flat Roman styles.
- ◆ To determine pricing, please refer to the bottom of each price chart.



SPECIFICATIONS

STACK HEIGHT

| Drop (Inches) | Stack (Inches) | Drop (Inches) | Stack (Inches) |
|---------------|---------------------------------|---------------|----------------------------------|
| 16" | 7 ¹ / ₄ " | 66" | 9 ¹ / ₄ " |
| 24" | 7 ¹ / ₂ " | 72" | 9 ¹ / ₂ " |
| 30" | 7 ³ / ₄ " | 78" | 10" |
| 36" | 8" | 84" | 10 ¹ / ₄ " |
| 42" | 8 ¹ / ₄ " | 90" | 10 ¹ / ₂ " |
| 48" | 8 ¹ / ₂ " | 96" | 10 ³ / ₄ " |
| 54" | 8 ³ / ₄ " | 102" | 11" |
| 60" | 9" | 108" | 11 ¹ / ₄ " |

* Measurements include head and bottom rails and may vary with fabric.

FINISHED DIMENSIONS

Inside Mount:

- ◆ Fabric will measure ordered width less: $\frac{3}{8}$ "
- ◆ Headrail* will measure ordered width less: $\frac{3}{16}$ "

Outside Mount:

- ◆ Fabric will measure ordered width.
- ◆ Headrail* will measure ordered width plus: $\frac{3}{16}$ "

Exact (End Cap to End Cap):

- ◆ Fabric will measure ordered width less: $\frac{3}{16}$ "
- ◆ Headrail* will measure ordered width.

*Headrail Measurements include end caps.
 Width and Length Measurements may vary +/- $\frac{1}{8}$ ".

NO CHARGE OPTIONS:

- ◆ Special Cord Lengths
- ◆ Hold Down Brackets
- ◆ Spacer Blocks
- ◆ Extension Brackets
- ◆ Cord Cleats
- ◆ Side Mount

Note on order any options required.

MOUNTING INFORMATION

| | |
|--|---------------------------------|
| Minimum Shallow Mounting Surface: | $\frac{1}{2}$ " |
| Minimum Inside Mount with Continuous Cord: | 1 ³ / ₄ " |
| Minimum Flush Inside Mounting Surface: | 1 ³ / ₄ " |
| Minimum Flush Inside Mount with Valance: | 2" |
| Minimum Outside Mounting Surface: | $\frac{3}{4}$ " |

RAIL MEASUREMENTS

When measuring and installing, please keep in mind the following rail measurements.

Standard Rail:

| | |
|---------|----------------------------------|
| Depth: | 1 ⁷ / ₁₆ " |
| Height: | $\frac{1}{2}$ " |

Standard Continuous Cord System:

| | |
|---------|-----------------------------------|
| Depth: | 1 ¹¹ / ₁₆ " |
| Height: | 1 ⁵ / ₁₆ " |

SHADE SPECIFICATIONS

| | | <i>Standard Rectangular</i> | <i>Standard Continuous Cord</i> | <i>*Available in Classic Style only.</i> | | <i>Top-Down & Top-Down/Bottom-Up</i> |
|--|--------|-----------------------------|--|--|------------------------------------|--|
| | | | <i>*Shades under 24" wide have a max length of 60"</i> | <i>2-on-1 Headrail</i> | <i>2-on-1 with Continuous Cord</i> | |
| | | | | <i>**Min. panel width is 17"; Max. is listed with fabric name.</i> | | |
| Minimum Size: All Fabrics | Width | 13 1/2" | 22" | 27" | 34" | 13 1/2" |
| | Height | 36" | 36" | 36" | 36" | 36" |
| Maximum Size: (Fabric Specific) | | | | | | |
| Brushed Suede (62") | Width | 62" | 62" | 120" | 120" | 48" |
| | Height | 108" | 108" | 108" | 108" | 108" |
| Brushed Suede Room Darkening (62") | Width | 62" | 62" | 120" | 120" | 48" |
| | Height | 90" | 108" | 108" | 108" | 108" |
| Hexham (66") | Width | 66" | 66" | 120" | 120" | 48" |
| | Height | 108" | 108" | 108" | 108" | 108" |
| Avalon (68") Briarwood (68") | Width | 68" | 68" | 120" | 120" | 48" |
| | Height | 108" | 108" | 108" | 108" | 108" |
| Avalon Room Darkening (68") | Width | N/A | 68" | N/A | 120" | N/A |
| | Height | N/A | 90" | N/A | 108" | N/A |
| Briarwood Room Darkening (68") | Width | N/A | 68" | N/A | 120" | N/A |
| | Height | N/A | 90" | N/A | 108" | N/A |
| Paradise (68") Exotics (68") Country Linen (68") Tudor (68") Tropical Escapes (68") | Width | 68" | 68" | 120" | 120" | 48" |
| | Height | 108" | 108" | 108" | 108" | 108" |
| Queensbury (90") Victoria (90") | Width | 90" | 90" | 120" | 120" | 48" |
| | Height | 108" | 108" | 108" | 108" | 108" |
| Crosshaven (95") Lattice (95") | Width | 95" | 94" | 120" | 120" | 48" |
| | Height | 108" | 108" | 108" | 108" | 108" |
| Falling Leaves (95") Kathryn (95") Laureate (95") Tranquility (95") | Width | 95" | 94" | 120" | 120" | 48" |
| | Height | 108" | 108" | 108" | 108" | 108" |

**PRICE GROUP
1A**
**CLASSIC ROMAN
STYLE SHADES**
◆ PATTERNS

• Tudor (68") • Country Linen (68")

Dimensions in parentheses indicate maximum single panel width.

| WIDTH TO | 24" | 30" | 36" | 42" | 48" | 54" | 60" | 66" | 68" | 84" | 94" | 108" | 120" |
|----------------------|-----|-----|-----|-----|-----|-----|-----|-----|-----|-----|------|------|------|
| 36" | 191 | 216 | 242 | 275 | 293 | 319 | 364 | 391 | 414 | 510 | 586 | 702 | 820 |
| 42" | 199 | 225 | 252 | 282 | 307 | 337 | 380 | 409 | 437 | 531 | 617 | 737 | 861 |
| 48" | 207 | 234 | 264 | 296 | 324 | 358 | 393 | 432 | 463 | 558 | 655 | 774 | 903 |
| 54" | 214 | 245 | 279 | 311 | 346 | 379 | 419 | 459 | 491 | 589 | 691 | 813 | 949 |
| 60" | 222 | 256 | 294 | 331 | 364 | 401 | 444 | 483 | 518 | 621 | 729 | 854 | 995 |
| 66" | 233 | 268 | 307 | 348 | 398 | 422 | 470 | 510 | 548 | 691 | 769 | 897 | 1046 |
| 72" | 242 | 282 | 323 | 364 | 410 | 441 | 495 | 535 | 574 | 722 | 796 | 941 | 1097 |
| 78" | 251 | 294 | 337 | 380 | 425 | 463 | 517 | 560 | 603 | 755 | 844 | 989 | 1153 |
| 84" | 262 | 306 | 352 | 395 | 440 | 484 | 541 | 586 | 630 | 788 | 880 | 1039 | 1209 |
| 90" | 273 | 319 | 367 | 413 | 459 | 506 | 565 | 612 | 659 | 827 | 917 | 1091 | 1270 |
| 96" | 284 | 333 | 382 | 431 | 479 | 528 | 589 | 638 | 685 | 861 | 957 | 1145 | 1333 |
| 102" | 302 | 350 | 405 | 457 | 507 | 552 | 618 | 669 | 719 | 904 | 1005 | 1204 | 1400 |
| 108" | 323 | 374 | 432 | 488 | 532 | 591 | 667 | 723 | 775 | 950 | 1055 | 1263 | 1470 |
| Cont. Cord Surcharge | 37 | 40 | 41 | 45 | 48 | 54 | 60 | 65 | 69 | 88 | 97 | 105 | 114 |

Shade dimensions within the shaded area will be fabricated with Continuous Cord System at no additional cost. Maximum single shade size 68" x 108".

Two on one headrail for shades over 68".

**PRICE GROUP
1B**
**FLAT ROMAN
STYLE SHADES**
◆ PATTERNS

• Tudor (68") • Country Linen (68")

Dimensions in parentheses indicate maximum single panel width.

| WIDTH TO | 24" | 30" | 36" | 42" | 48" | 54" | 60" | 66" | 68" |
|----------------------|-----|-----|-----|-----|-----|-----|-----|-----|-----|
| 36" | 162 | 183 | 205 | 234 | 249 | 271 | 310 | 333 | 352 |
| 42" | 169 | 191 | 215 | 239 | 260 | 287 | 323 | 347 | 371 |
| 48" | 176 | 200 | 225 | 252 | 275 | 304 | 334 | 368 | 393 |
| 54" | 182 | 208 | 238 | 265 | 294 | 322 | 356 | 390 | 418 |
| 60" | 189 | 218 | 250 | 282 | 310 | 341 | 378 | 411 | 441 |
| 66" | 198 | 228 | 260 | 296 | 339 | 359 | 399 | 433 | 466 |
| 72" | 205 | 239 | 274 | 310 | 348 | 375 | 421 | 456 | 488 |
| 78" | 214 | 250 | 286 | 323 | 361 | 393 | 440 | 476 | 513 |
| 84" | 223 | 260 | 299 | 336 | 374 | 412 | 460 | 499 | 535 |
| 90" | 233 | 271 | 311 | 351 | 387 | 430 | 480 | 520 | 560 |
| 96" | 241 | 283 | 325 | 367 | 408 | 449 | 500 | 543 | 582 |
| 102" | 256 | 297 | 344 | 380 | 431 | 470 | 526 | 569 | 611 |
| 108" | 274 | 318 | 368 | 414 | 453 | 503 | 568 | 615 | 659 |
| Cont. Cord Surcharge | 37 | 40 | 41 | 45 | 48 | 54 | 60 | 65 | 69 |

Shade dimensions within the shaded area will be fabricated with Continuous Cord System at no additional cost. Maximum single shade size - 68" x 108".

Two shades on one head rail is not offered in the Flat Roman Style.

SPECIALTY SHADE SURCHARGE OPTIONS:

Two- on-One HeadrailPrice as individual shades, add Continuous Cord surcharges for each (if applicable)Add \$52
 Top-Down / Bottom-UpAdd 25%

PRICE GROUP
2A

**CLASSIC ROMAN
STYLE SHADES**

◆ PATTERNS
 • *Queensbury* (90") • *Victoria* (90")
 Dimensions in parentheses indicate maximum single panel width.

| WIDTH TO > | 24" | 30" | 36" | 42" | 48" | 54" | 60" | 66" | 72" | 78" | 84" | 90" | 108" | 120" |
|----------------------|-----|-----|-----|-----|-----|-----|-----|-----|-----|------|------|------|------|------|
| HEIGHT TO → 36" | 224 | 252 | 284 | 316 | 343 | 373 | 426 | 458 | 486 | 541 | 596 | 685 | 822 | 960 |
| 42" | 233 | 263 | 296 | 331 | 360 | 396 | 446 | 479 | 511 | 566 | 622 | 723 | 864 | 1008 |
| 48" | 242 | 275 | 310 | 346 | 380 | 420 | 461 | 507 | 543 | 599 | 654 | 767 | 907 | 1059 |
| 54" | 251 | 286 | 327 | 365 | 405 | 445 | 492 | 538 | 576 | 633 | 690 | 810 | 952 | 1111 |
| 60" | 260 | 301 | 344 | 388 | 426 | 469 | 517 | 566 | 608 | 668 | 728 | 854 | 1000 | 1167 |
| 66" | 273 | 316 | 360 | 406 | 450 | 494 | 549 | 597 | 642 | 726 | 810 | 901 | 1051 | 1226 |
| 72" | 284 | 331 | 378 | 426 | 475 | 516 | 580 | 627 | 673 | 760 | 847 | 933 | 1103 | 1286 |
| 78" | 294 | 344 | 394 | 446 | 495 | 543 | 609 | 657 | 706 | 797 | 886 | 989 | 1159 | 1350 |
| 84" | 307 | 359 | 413 | 463 | 515 | 568 | 638 | 686 | 739 | 832 | 924 | 1031 | 1217 | 1417 |
| 90" | 320 | 373 | 429 | 484 | 538 | 592 | 668 | 716 | 771 | 870 | 968 | 1074 | 1278 | 1487 |
| 96" | 333 | 389 | 447 | 506 | 561 | 618 | 696 | 746 | 803 | 907 | 1010 | 1123 | 1342 | 1562 |
| 102" | 354 | 409 | 474 | 535 | 595 | 647 | 731 | 786 | 842 | 951 | 1059 | 1178 | 1410 | 1640 |
| 108" | 378 | 438 | 507 | 572 | 625 | 693 | 782 | 848 | 908 | 1010 | 1112 | 1205 | 1480 | 1723 |
| Cont. Cord Surcharge | 37 | 40 | 41 | 45 | 48 | 54 | 60 | 65 | 72 | 79 | 88 | N/C | 105 | 114 |

Shade dimensions within the shaded area will be fabricated with Continuous Cord System at no additional cost. Maximum single shade size 90" x 108".

Two on one headrail for shades over 90".

PRICE GROUP
2B

**FLAT ROMAN
STYLE SHADES**

◆ PATTERNS
 • *Queensbury* (90") • *Victoria* (90")
 Dimensions in parentheses indicate maximum single panel width.

| WIDTH TO > | 24" | 30" | 36" | 42" | 48" | 54" | 60" | 66" | 72" | 78" | 84" | 90" |
|----------------------|-----|-----|-----|-----|-----|-----|-----|-----|-----|-----|-----|------|
| HEIGHT TO → 36" | 191 | 215 | 241 | 268 | 292 | 317 | 362 | 389 | 413 | 460 | 507 | 582 |
| 42" | 198 | 224 | 252 | 282 | 307 | 337 | 379 | 408 | 435 | 481 | 529 | 615 |
| 48" | 205 | 234 | 263 | 294 | 323 | 357 | 392 | 431 | 462 | 509 | 556 | 651 |
| 54" | 214 | 243 | 277 | 311 | 344 | 379 | 419 | 457 | 490 | 539 | 586 | 688 |
| 60" | 221 | 256 | 292 | 329 | 362 | 398 | 440 | 481 | 517 | 568 | 618 | 727 |
| 66" | 232 | 268 | 307 | 345 | 384 | 420 | 466 | 508 | 545 | 616 | 688 | 766 |
| 72" | 241 | 282 | 321 | 362 | 404 | 439 | 493 | 533 | 573 | 646 | 719 | 793 |
| 78" | 251 | 292 | 336 | 379 | 421 | 462 | 517 | 558 | 600 | 677 | 753 | 840 |
| 84" | 260 | 305 | 350 | 393 | 438 | 483 | 543 | 583 | 629 | 707 | 785 | 876 |
| 90" | 273 | 317 | 364 | 412 | 457 | 504 | 568 | 609 | 655 | 739 | 822 | 913 |
| 96" | 283 | 330 | 380 | 430 | 477 | 526 | 591 | 634 | 683 | 771 | 858 | 954 |
| 102" | 301 | 347 | 403 | 455 | 505 | 550 | 621 | 668 | 716 | 808 | 900 | 1002 |
| 108" | 321 | 372 | 431 | 486 | 530 | 589 | 664 | 720 | 771 | 858 | 946 | 1050 |
| Cont. Cord Surcharge | 37 | 40 | 41 | 45 | 48 | 54 | 60 | 65 | 72 | 79 | 88 | 97 |

Shade dimensions within the shaded area will be fabricated with Continuous Cord System at no additional cost. Maximum Single Shade size - 90" x 108". Two shades on one head rail is not offered in the Flat Roman Style.

SPECIALTY SHADE SURCHARGE OPTIONS:

Two- on-One HeadrailPrice as individual shades, add Continuous Cord surcharges for each (if applicable)Add \$52
 Top-Down / Bottom-UpAdd 25%

PRICE GROUP
3A
**CLASSIC ROMAN
 STYLE SHADES**
◆ PATTERNS

- Crosshaven (95") • Lattice (95")
- Dimensions in parentheses indicate maximum single panel width.*

| WIDTH TO | 24" | 30" | 36" | 42" | 48" | 54" | 60" | 66" | 72" | 78" | 84" | 95" | 108" | 120" |
|----------------------|-----|-----|-----|-----|-----|-----|-----|-----|-----|------|------|------|------|------|
| 36" | 224 | 252 | 284 | 315 | 343 | 373 | 426 | 458 | 485 | 541 | 596 | 686 | 822 | 961 |
| 42" | 233 | 263 | 296 | 331 | 360 | 396 | 446 | 479 | 511 | 566 | 622 | 723 | 864 | 1008 |
| 48" | 242 | 275 | 310 | 346 | 380 | 420 | 461 | 507 | 543 | 599 | 654 | 767 | 907 | 1059 |
| 54" | 251 | 286 | 327 | 365 | 405 | 445 | 492 | 537 | 576 | 633 | 690 | 809 | 952 | 1111 |
| 60" | 261 | 301 | 344 | 388 | 426 | 468 | 518 | 566 | 608 | 668 | 727 | 854 | 1000 | 1167 |
| 66" | 273 | 315 | 360 | 405 | 451 | 494 | 549 | 597 | 641 | 726 | 809 | 901 | 1051 | 1226 |
| 72" | 284 | 331 | 378 | 426 | 475 | 516 | 580 | 627 | 673 | 760 | 847 | 933 | 1103 | 1286 |
| 78" | 295 | 344 | 394 | 446 | 495 | 543 | 609 | 657 | 706 | 796 | 886 | 989 | 1159 | 1350 |
| 84" | 307 | 359 | 411 | 463 | 515 | 568 | 638 | 686 | 739 | 832 | 924 | 1031 | 1217 | 1417 |
| 90" | 320 | 373 | 429 | 485 | 537 | 592 | 668 | 716 | 771 | 870 | 968 | 1074 | 1278 | 1487 |
| 96" | 332 | 388 | 447 | 506 | 561 | 618 | 696 | 746 | 803 | 907 | 1010 | 1123 | 1341 | 1562 |
| 102" | 353 | 409 | 474 | 535 | 594 | 647 | 731 | 786 | 842 | 951 | 1059 | 1178 | 1410 | 1640 |
| 108" | 378 | 438 | 507 | 571 | 624 | 692 | 782 | 847 | 908 | 1010 | 1112 | 1236 | 1480 | 1723 |
| Cont. Cord Surcharge | 37 | 40 | 41 | 45 | 48 | 54 | 60 | 65 | 72 | 79 | 88 | N/C | | |

Shade dimensions within the shaded area will be fabricated with Continuous Cord System at no additional cost. Maximum single shade size 95" x 108".

Two on one headrail for shades over 84".

PRICE GROUP
3B
**FLAT ROMAN
 STYLE SHADES**
◆ PATTERNS

- Crosshaven (95") • Lattice (95")
- Dimensions in parentheses indicate maximum single panel width.*

| WIDTH TO | 24" | 30" | 36" | 42" | 48" | 54" | 60" | 66" | 72" | 78" | 84" | 95" |
|----------------------|-----|-----|-----|-----|-----|-----|-----|-----|-----|-----|-----|------|
| 36" | 190 | 214 | 241 | 268 | 292 | 317 | 362 | 389 | 413 | 460 | 507 | 583 |
| 42" | 198 | 224 | 252 | 282 | 306 | 337 | 379 | 408 | 434 | 481 | 528 | 615 |
| 48" | 206 | 234 | 264 | 294 | 323 | 357 | 392 | 431 | 462 | 509 | 556 | 652 |
| 54" | 214 | 243 | 278 | 311 | 344 | 379 | 418 | 457 | 489 | 538 | 586 | 688 |
| 60" | 222 | 256 | 292 | 329 | 362 | 398 | 440 | 481 | 517 | 568 | 618 | 726 |
| 66" | 232 | 268 | 306 | 345 | 383 | 420 | 467 | 507 | 545 | 617 | 688 | 766 |
| 72" | 241 | 282 | 321 | 362 | 404 | 439 | 493 | 533 | 572 | 646 | 720 | 793 |
| 78" | 250 | 292 | 335 | 379 | 421 | 462 | 518 | 558 | 600 | 677 | 753 | 840 |
| 84" | 261 | 305 | 350 | 394 | 438 | 483 | 542 | 583 | 628 | 707 | 785 | 876 |
| 90" | 272 | 317 | 365 | 412 | 457 | 503 | 568 | 609 | 655 | 739 | 822 | 913 |
| 96" | 282 | 330 | 380 | 430 | 477 | 526 | 591 | 634 | 683 | 771 | 859 | 954 |
| 102" | 300 | 347 | 403 | 455 | 505 | 550 | 621 | 668 | 716 | 809 | 901 | 1001 |
| 108" | 321 | 372 | 431 | 486 | 531 | 589 | 665 | 720 | 772 | 859 | 945 | 1050 |
| Cont. Cord Surcharge | 37 | 40 | 41 | 45 | 48 | 54 | 60 | 65 | 72 | 79 | 88 | 97 |

Shade dimensions within the shaded area will be fabricated with Continuous Cord System at no additional cost. Maximum Single Shade size - 95" x 108".

Two shades on one head rail is not offered in the Flat Roman Style.

SPECIALTY SHADE SURCHARGE OPTIONS:

Two- on-One HeadrailPrice as individual shades, add Continuous Cord surcharges for each (if applicable)Add \$52
 Top-Down / Bottom-UpAdd 25%

PRICE GROUP
4A
**CLASSIC ROMAN
 STYLE SHADES**
◆ PATTERNS

- Hexham (66") • Paradise (68")
- Exotics (68") • Tropical Escapes (68")

Dimensions in parentheses indicate maximum single panel width.

| WIDTH TO | 24" | 30" | 36" | 42" | 48" | 54" | 60" | 66" | 68" | 84" | 95" | 108" | 120" |
|----------------------|-----|-----|-----|-----|-----|-----|-----|-----|-----|------|------|------|------|
| 36" | 224 | 252 | 284 | 316 | 343 | 373 | 426 | 458 | 486 | 596 | 685 | 822 | 960 |
| 42" | 233 | 263 | 296 | 331 | 360 | 396 | 446 | 479 | 511 | 622 | 723 | 864 | 1008 |
| 48" | 242 | 275 | 310 | 346 | 380 | 420 | 461 | 507 | 543 | 654 | 767 | 907 | 1059 |
| 54" | 251 | 286 | 327 | 365 | 405 | 445 | 492 | 538 | 576 | 690 | 810 | 952 | 1111 |
| 60" | 260 | 301 | 344 | 388 | 426 | 469 | 517 | 566 | 608 | 728 | 854 | 1000 | 1167 |
| 66" | 273 | 316 | 360 | 406 | 450 | 494 | 549 | 597 | 642 | 810 | 901 | 1051 | 1226 |
| 72" | 284 | 331 | 378 | 426 | 475 | 516 | 580 | 627 | 673 | 847 | 933 | 1103 | 1286 |
| 78" | 294 | 344 | 394 | 446 | 495 | 543 | 609 | 657 | 706 | 886 | 989 | 1159 | 1350 |
| 84" | 307 | 359 | 413 | 463 | 515 | 568 | 638 | 686 | 739 | 924 | 1031 | 1217 | 1417 |
| 90" | 320 | 373 | 429 | 484 | 538 | 592 | 668 | 716 | 771 | 968 | 1074 | 1278 | 1487 |
| 96" | 333 | 389 | 447 | 506 | 561 | 618 | 696 | 746 | 803 | 1010 | 1123 | 1342 | 1562 |
| 102" | 354 | 409 | 474 | 535 | 595 | 647 | 731 | 786 | 842 | 1059 | 1178 | 1410 | 1640 |
| 108" | 378 | 438 | 507 | 572 | 625 | 693 | 782 | 848 | 908 | 1112 | 1205 | 1480 | 1723 |
| Cont. Cord Surcharge | 37 | 40 | 41 | 45 | 48 | 54 | 60 | 65 | 69 | 88 | 97 | 105 | 114 |

Shade dimensions within the shaded area will be fabricated with Continuous Cord System at no additional cost. Maximum single shade size 68" x 108".

Two on one headrail for shades over 68".

Note: Tropical Escapes fabric does not have a white backing

PRICE GROUP
4B
**FLAT ROMAN
 STYLE SHADES**
◆ PATTERNS

- Hexham (66") • Paradise (68")
- Exotics (68") • Tropical Escapes (68")

Dimensions in parentheses indicate maximum single panel width.

| WIDTH TO | 24" | 30" | 36" | 42" | 48" | 54" | 60" | 68" |
|----------------------|-----|-----|-----|-----|-----|-----|-----|-----|
| 36" | 191 | 215 | 241 | 268 | 292 | 317 | 362 | 389 |
| 42" | 198 | 224 | 252 | 282 | 307 | 337 | 379 | 408 |
| 48" | 205 | 234 | 263 | 294 | 323 | 357 | 392 | 431 |
| 54" | 214 | 243 | 277 | 311 | 344 | 379 | 419 | 457 |
| 60" | 221 | 256 | 292 | 329 | 362 | 398 | 440 | 481 |
| 66" | 232 | 268 | 307 | 345 | 384 | 420 | 466 | 508 |
| 72" | 241 | 282 | 321 | 362 | 404 | 439 | 493 | 533 |
| 78" | 251 | 292 | 336 | 379 | 421 | 462 | 517 | 558 |
| 84" | 260 | 305 | 350 | 393 | 438 | 483 | 543 | 583 |
| 90" | 273 | 317 | 364 | 412 | 457 | 504 | 568 | 609 |
| 96" | 283 | 330 | 380 | 430 | 477 | 526 | 591 | 634 |
| 102" | 301 | 347 | 403 | 455 | 505 | 550 | 621 | 668 |
| 108" | 321 | 372 | 431 | 486 | 530 | 589 | 664 | 720 |
| Cont. Cord Surcharge | 37 | 40 | 41 | 45 | 48 | 54 | 60 | 65 |

Shade dimensions within the shaded area will be fabricated with Continuous Cord System at no additional cost. Maximum single shade size 66" x 108". Two shades on one head rail is not offered in the Flat Roman Style.

Note: Tropical Escapes fabric does not have a white backing

SPECIALTY SHADE SURCHARGE OPTIONS:

Two- on-One HeadrailPrice as individual shades, add Continuous Cord surcharges for each (if applicable)Add \$52
 Top-Down / Bottom-UpAdd 25%

PRICE GROUP
5A
**CLASSIC ROMAN
 STYLE SHADES**
◆ PATTERNS

- Kathryn (95") • Falling Leaves (95")
- Laureate (95") • Tranquility (95")

Dimensions in parentheses indicate maximum single panel width.

| WIDTH TO | 24" | 30" | 36" | 42" | 48" | 54" | 60" | 66" | 72" | 78" | 84" | 95" | 108" | 120" |
|----------------------|-----|-----|-----|-----|-----|-----|-----|-----|-----|------|------|------|------|------|
| HEIGHT TO 36" | 235 | 264 | 297 | 330 | 360 | 391 | 446 | 480 | 509 | 567 | 625 | 718 | 861 | 1006 |
| 42" | 244 | 276 | 310 | 347 | 377 | 415 | 468 | 502 | 535 | 593 | 651 | 758 | 905 | 1056 |
| 48" | 253 | 288 | 325 | 362 | 398 | 440 | 483 | 531 | 569 | 627 | 685 | 803 | 950 | 1109 |
| 54" | 263 | 300 | 343 | 383 | 424 | 467 | 516 | 563 | 603 | 663 | 723 | 848 | 998 | 1164 |
| 60" | 273 | 315 | 360 | 406 | 446 | 491 | 542 | 593 | 637 | 700 | 762 | 895 | 1047 | 1222 |
| 66" | 286 | 330 | 377 | 425 | 472 | 517 | 575 | 625 | 672 | 760 | 848 | 944 | 1101 | 1284 |
| 72" | 297 | 347 | 396 | 446 | 498 | 541 | 608 | 657 | 705 | 796 | 887 | 977 | 1155 | 1347 |
| 78" | 309 | 360 | 413 | 468 | 518 | 569 | 638 | 688 | 740 | 834 | 928 | 1036 | 1214 | 1414 |
| 84" | 321 | 376 | 431 | 485 | 540 | 595 | 668 | 719 | 774 | 872 | 968 | 1080 | 1275 | 1485 |
| 90" | 335 | 391 | 450 | 508 | 563 | 620 | 700 | 750 | 807 | 911 | 1014 | 1125 | 1339 | 1558 |
| 96" | 348 | 407 | 468 | 530 | 588 | 648 | 729 | 782 | 841 | 950 | 1058 | 1176 | 1405 | 1636 |
| 102" | 370 | 428 | 496 | 560 | 623 | 678 | 766 | 824 | 882 | 997 | 1110 | 1234 | 1477 | 1718 |
| 108" | 396 | 459 | 531 | 599 | 654 | 725 | 819 | 888 | 951 | 1058 | 1165 | 1295 | 1551 | 1805 |
| Cont. Cord Surcharge | 37 | 40 | 41 | 45 | 48 | 54 | 60 | 65 | 72 | 79 | 88 | 97 | 105 | 114 |

Shade dimensions within the shaded area will be fabricated with Continuous Cord System at no additional cost. Maximum single shade size 95" x 108".

Two on one headrail for shades over 90".

PRICE GROUP
5B
**FLAT ROMAN
 STYLE SHADES**
◆ PATTERNS

- Kathryn (95") • Falling Leaves (95")
- Laureate (95") • Tranquility (95")

Dimensions in parentheses indicate maximum single panel width.

| WIDTH TO | 24" | 30" | 36" | 42" | 48" | 54" | 60" | 66" | 72" | 78" | 84" | 95" |
|----------------------|-----|-----|-----|-----|-----|-----|-----|-----|-----|-----|-----|------|
| HEIGHT TO 36" | 199 | 224 | 253 | 281 | 306 | 332 | 379 | 408 | 432 | 482 | 531 | 611 |
| 42" | 207 | 234 | 264 | 295 | 321 | 353 | 397 | 427 | 455 | 504 | 554 | 644 |
| 48" | 215 | 245 | 276 | 308 | 338 | 374 | 410 | 451 | 484 | 533 | 582 | 683 |
| 54" | 224 | 255 | 291 | 325 | 360 | 397 | 438 | 479 | 513 | 563 | 614 | 720 |
| 60" | 232 | 268 | 306 | 345 | 379 | 417 | 461 | 504 | 541 | 595 | 648 | 761 |
| 66" | 243 | 281 | 321 | 361 | 401 | 440 | 489 | 532 | 571 | 646 | 720 | 802 |
| 72" | 253 | 295 | 337 | 379 | 423 | 460 | 516 | 558 | 599 | 676 | 754 | 830 |
| 78" | 262 | 306 | 351 | 397 | 441 | 484 | 542 | 585 | 629 | 709 | 789 | 881 |
| 84" | 273 | 319 | 366 | 413 | 459 | 506 | 568 | 611 | 658 | 741 | 823 | 918 |
| 90" | 285 | 332 | 382 | 432 | 479 | 527 | 595 | 638 | 686 | 774 | 862 | 956 |
| 96" | 296 | 346 | 398 | 450 | 500 | 551 | 620 | 664 | 715 | 808 | 899 | 1000 |
| 102" | 315 | 364 | 422 | 476 | 529 | 576 | 651 | 700 | 750 | 847 | 943 | 1049 |
| 108" | 337 | 390 | 451 | 509 | 556 | 617 | 696 | 755 | 808 | 899 | 990 | 1100 |
| Cont. Cord Surcharge | 37 | 40 | 41 | 45 | 48 | 54 | 60 | 65 | 72 | 79 | 88 | 97 |

Shade dimensions within the shaded area will be fabricated with Continuous Cord System at no additional cost. Maximum Single Shade size - 95" x 108". Two shades on one head rail is not offered in the Flat Roman Style.

SPECIALTY SHADE SURCHARGE OPTIONS:

Two- on-One HeadrailPrice as individual shades, add Continuous Cord surcharges for each (if applicable)Add \$52
 Top-Down / Bottom-UpAdd 25%

**PRICE GROUP
6A**
**CLASSIC ROMAN
STYLE SHADES**
◆ PATTERNS

- Brushed Suede (62") • Avalon (68")
- Briarwood (68")

Dimensions in parentheses indicate maximum single panel width.

| WIDTH TO | 24" | 30" | 36" | 42" | 48" | 54" | 62" | 68" | 84" | 96" | 108" | 120" |
|----------------------|-----|-----|-----|-----|-----|-----|-----|-----|------|------|------|------|
| HEIGHT TO 36" | 235 | 264 | 297 | 330 | 360 | 391 | 446 | 509 | 625 | 718 | 861 | 1006 |
| 42" | 244 | 276 | 310 | 347 | 377 | 415 | 468 | 535 | 651 | 758 | 905 | 1056 |
| 48" | 253 | 288 | 325 | 362 | 398 | 440 | 483 | 569 | 685 | 803 | 950 | 1109 |
| 54" | 263 | 300 | 343 | 383 | 424 | 467 | 516 | 603 | 723 | 848 | 998 | 1164 |
| 60" | 273 | 315 | 360 | 406 | 446 | 491 | 542 | 637 | 762 | 895 | 1047 | 1222 |
| 66" | 286 | 330 | 377 | 425 | 472 | 517 | 575 | 672 | 808 | 944 | 1101 | 1284 |
| 72" | 297 | 347 | 396 | 446 | 498 | 541 | 608 | 705 | 847 | 977 | 1155 | 1347 |
| 78" | 309 | 360 | 413 | 468 | 518 | 569 | 638 | 740 | 878 | 1036 | 1214 | 1414 |
| 84" | 321 | 376 | 433 | 485 | 540 | 595 | 668 | 774 | 916 | 1080 | 1275 | 1485 |
| 90" | 335 | 391 | 450 | 508 | 563 | 620 | 700 | 807 | 954 | 1125 | 1339 | 1558 |
| 96" | 348 | 407 | 468 | 530 | 588 | 648 | 729 | 841 | 1000 | 1176 | 1405 | 1636 |
| 102" | 370 | 428 | 496 | 560 | 623 | 678 | 766 | 882 | 1050 | 1234 | 1477 | 1718 |
| 108" | 396 | 459 | 531 | 599 | 654 | 725 | 819 | 951 | 1135 | 1263 | 1551 | 1805 |
| Cont. Cord Surcharge | 37 | 40 | 41 | 45 | 48 | 54 | 60 | 69 | 88 | 97 | 105 | 114 |

Shade dimensions within the shaded area will be fabricated with Continuous Cord System at no additional cost. Maximum single shade size 68" x 108".

Two on one headrail for shades over 68".

**PRICE GROUP
6B**
**FLAT ROMAN
STYLE SHADES**
◆ PATTERNS

- Brushed Suede (62") • Avalon (68")
- Briarwood (68")

Dimensions in parentheses indicate maximum single panel width.

| WIDTH TO | 24" | 30" | 36" | 42" | 48" | 54" | 62" | 68" |
|----------------------|-----|-----|-----|-----|-----|-----|-----|-----|
| HEIGHT TO 36" | 199 | 224 | 253 | 281 | 306 | 332 | 379 | 432 |
| 42" | 207 | 234 | 264 | 295 | 321 | 353 | 397 | 455 |
| 48" | 215 | 245 | 276 | 308 | 338 | 374 | 410 | 484 |
| 54" | 224 | 255 | 291 | 325 | 360 | 397 | 438 | 513 |
| 60" | 232 | 268 | 306 | 345 | 379 | 417 | 461 | 541 |
| 66" | 243 | 281 | 321 | 361 | 401 | 440 | 489 | 571 |
| 72" | 253 | 295 | 337 | 379 | 423 | 460 | 516 | 599 |
| 78" | 262 | 306 | 351 | 397 | 441 | 484 | 542 | 629 |
| 84" | 273 | 319 | 368 | 413 | 459 | 506 | 568 | 658 |
| 90" | 285 | 332 | 382 | 432 | 479 | 527 | 595 | 686 |
| 96" | 296 | 346 | 398 | 450 | 500 | 551 | 620 | 715 |
| 102" | 315 | 364 | 422 | 476 | 529 | 576 | 651 | 750 |
| 108" | 337 | 390 | 451 | 509 | 556 | 617 | 696 | 808 |
| Cont. Cord Surcharge | 37 | 40 | 41 | 45 | 48 | 54 | 60 | 69 |

Shade dimensions within the shaded area will be fabricated with Continuous Cord System at no additional cost. Maximum Single Shade size - 68" x 108". Two shades on one head rail is not offered in the Flat Roman Style.

SPECIALTY SHADE SURCHARGE OPTIONS:

Two- on-One HeadrailPrice as individual shades, add Continuous Cord surcharges for each (if applicable)Add \$52
 Top-Down / Bottom-UpAdd 25%

PRICE GROUP
7A
**CLASSIC ROMAN
 STYLE SHADES**
 ROOM DARKENING

◆ PATTERNS

- Brushed Suede (62") • Avalon (68")
- Briarwood (68")

Dimensions in parentheses indicate maximum single panel width.

| WIDTH TO | 24" | 30" | 36" | 42" | 48" | 54" | 62" | 66" | 68" | 84" | 94" | 108" | 120" |
|---------------|-----|-----|-----|-----|-----|-----|-----|-----|-----|------|------|------|------|
| HEIGHT TO 36" | 270 | 303 | 341 | 380 | 414 | 449 | 513 | 552 | 585 | 719 | 826 | 990 | 1157 |
| 42" | 280 | 317 | 357 | 399 | 434 | 477 | 538 | 578 | 616 | 749 | 871 | 1041 | 1215 |
| 48" | 291 | 332 | 373 | 417 | 457 | 506 | 555 | 611 | 655 | 788 | 924 | 1093 | 1275 |
| 54" | 303 | 345 | 394 | 440 | 487 | 537 | 593 | 647 | 694 | 831 | 975 | 1147 | 1339 |
| 60" | 314 | 363 | 414 | 467 | 513 | 565 | 624 | 682 | 732 | 876 | 1029 | 1205 | 1406 |
| 66" | 329 | 380 | 434 | 488 | 543 | 595 | 662 | 719 | 773 | 975 | 1085 | 1266 | 1476 |
| 72" | 341 | 399 | 456 | 513 | 573 | 622 | 698 | 755 | 810 | 1020 | 1123 | 1329 | 1549 |
| 78" | 355 | 414 | 475 | 538 | 596 | 655 | 733 | 791 | 851 | 1067 | 1192 | 1397 | 1626 |
| 84" | 369 | 432 | 498 | 558 | 621 | 685 | 768 | 827 | 891 | 1114 | 1242 | 1467 | 1707 |
| 90" | 386 | 449 | 517 | 584 | 647 | 713 | 805 | 863 | 929 | 1166 | 1294 | 1540 | 1792 |

Shade dimensions within the shaded area may require pull forces exceeding 10 pounds. Maximum single shade size 68" x 90".

All room darkening fabrics require continuous cord system.
 No surcharge.

Two on one
 headrail
 for shades
 over 68".

PRICE GROUP
7B
**FLAT ROMAN
 STYLE SHADES**
 ROOM DARKENING

◆ PATTERNS

- Brushed Suede (62") • Avalon (68")
- Briarwood (68")

Dimensions in parentheses indicate maximum single panel width.

| WIDTH TO | 24" | 30" | 36" | 42" | 48" | 54" | 62" | 66" | 68" |
|---------------|-----|-----|-----|-----|-----|-----|-----|-----|-----|
| HEIGHT TO 36" | 230 | 258 | 290 | 323 | 351 | 382 | 436 | 469 | 497 |
| 42" | 238 | 269 | 303 | 339 | 369 | 406 | 457 | 491 | 523 |
| 48" | 247 | 281 | 317 | 354 | 389 | 430 | 472 | 519 | 556 |
| 54" | 257 | 293 | 335 | 374 | 414 | 456 | 504 | 550 | 590 |
| 60" | 267 | 308 | 352 | 397 | 436 | 479 | 530 | 580 | 623 |
| 66" | 279 | 323 | 369 | 415 | 462 | 506 | 563 | 612 | 657 |
| 72" | 290 | 339 | 387 | 436 | 487 | 529 | 594 | 642 | 689 |
| 78" | 302 | 352 | 404 | 457 | 507 | 556 | 624 | 672 | 723 |
| 84" | 314 | 367 | 423 | 475 | 528 | 582 | 653 | 703 | 757 |
| 90" | 328 | 382 | 440 | 496 | 550 | 606 | 684 | 733 | 789 |

Shade dimensions within the shaded area may require pull forces exceeding 10 pounds. Maximum single shade size 68" x 90".

All room darkening fabrics require continuous cord system.
 No surcharge.

SPECIALTY SHADE SURCHARGE OPTIONS:

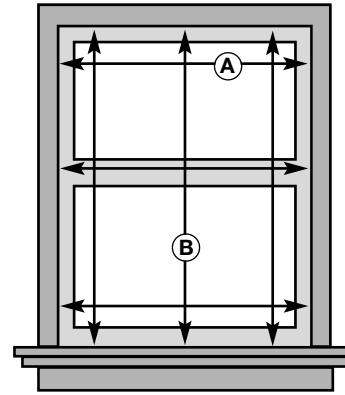
Two- on-One HeadrailPrice as individual shades, Add \$52

MEASURING GUIDELINES

Accurate measurements are essential, for both correct pricing and proper fit. Use only a hard-edged ruler or steel tape, never a cloth tape. For inside mounts, width measurements should be rounded down to the nearest 1/8" to prevent blind from binding against the window casing.

INSIDE MOUNT (IB)

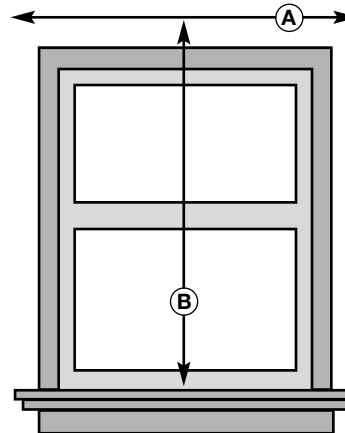
- For **width** (A), measure across the window casing from one inside edge to the other in three places, top, middle, and bottom. Record the smallest width rounded **down** to the nearest 1/8 inch.
- For **Length** (B), measure the inside area from the top inside edge down to the top of the sill in three places, left, middle and right. Record the longest length rounded **up** to the nearest 1/8 inch.
- The factory will make all the necessary deductions on inside mounts for proper fit.



INSIDE MOUNT

OUTSIDE MOUNT (OB)

- For **width** (A), measure from one edge of the casing to the other, then add a minimum of 1 1/2 inches (3 inches each side is recommended), for shading overlap. Record the measurement rounded **up** to the nearest 1/8 inch.
- For **Length** (B), measure from the top of the window sill up to the desired top of the blind. Again, record the measurements rounded **up** to the nearest 1/8 inch.
- Outside mounted blinds are fabricated to order dimensions.
- Be sure to take into consideration any obstructions such as window trim, molding, locks and window cranks.



OUTSIDE MOUNT

FIVE-YEAR LIMITED WARRANTY

The manufacturer extends a 5 year limited warranty on all Roman Shades to the original owner of the shades. All Roman Shades are warranted against defects in material or workmanship. The warranty does not cover normal wear and tear or damage caused by improper installation or misuse.

