

## Soft Sheer Horizontal Window Shadings

### THE VIENNA™ HORIZONTAL COLLECTION

Vienna™ Window Shadings incorporate the finest aspects of draperies, shades and blinds into one classic and elegant window treatment. Horizontal fabric vanes – suspended between sheer fabric facings – tilt to control privacy or the amount of outside light filtering into your room. Numerous other features include:

- ◆ 26 translucent and 5 room-darkening fabric colors in 2-inch and 10 translucent and 3 room-darkening in 3-inch
- ◆ Available in widths up to 114 inches and lengths up to 132 inches
- ◆ Five distinct variations of vane positioning offer more combinations of privacy, view and light control
- ◆ Color-coordinated headrail complements the soft, fabric look of the shading
- ◆ Color-coordinated fabric covered headrails available at no additional charge when requested



### FABRIC COLORS

PRICE GROUP A		PRICE GROUP B		PRICE GROUP D		PRICE GROUP F	
2-INCH SHEER		2-INCH ROOM-DARKENING		3-INCH ROOM-DARKENING		3-INCH BRUSHED	
Snow	1000	Arctic Ice	2100	Arctic Ice	32100	Cotton	31200
Pearl	1001	Eggshell	2200	Eggshell	32200	Pure	31205
Stucco	1002	Dawn	2300	Cream	32400	Blond	31208
Autumn Beige	1003	Cream	2400			Toast	31218
Wheat	1004	Candlelight	2500			Umber	31216
Cloud	1005			<b>PRICE GROUP E</b>			
Parchment	1006					<b>2-INCH BRUSHED</b>	
Buttercup	1007	<b>PRICE GROUP C</b>		Cotton	1200		
Ivory	1008	<b>3-INCH SHEER</b>		Pure	1205		
Bermuda Sand	1014	Snow	31000	Blond	1208		
Pumice	1016	Pearl	31001	Toast	1218		
Camel	1018	Stucco	31002	Umber	1216		
Teaberry	1025	Ivory	31008				
Spring Green	1045	Pumice	31016				
Arctic Blue	1054						
Pearl Essence	3001						

**Soft Sheer Horizontal Window Shadings**

## ◆ 2-INCH SHEER FABRICS

 PRICE GROUP  
**A**
**HORIZONTAL WINDOW SHADINGS**  
 STANDARD RECTANGULAR

WIDTH TO >	23"	30"	36"	42"	48"	54"	60"	66"	72"	84"	96" †	114"
36"	446	500	559	612	669	728	781	840	983	1102	1216	1477
42"	470	531	589	653	714	779	840	901	1050	1179	1301	1586
48"	497	560	627	691	761	827	898	968	1119	1254	1388	1699
54"	517	588	660	734	807	880	958	1036	1185	1329	1486	1859
60"	541	621	696	772	850	934	1017	1104	1249	1414	1584	1989
66"	564	649	733	814	901	991	1083	1175	1317	1503	1684	2114
72"	589	680	767	855	951	1050	1146	1242	1388	1586	1782	2251
78"	606	702	795	893	992	1097	1196	1302	1454	1665	1871	2365
84"	631	733	828	937	1044	1152	1265	1372	1531	1755	1971	2484
90"	658	761	866	981	1096	1213	1325	1440	1603	1840	2070	2622
96"*	682	793	903	1025	1146	1266	1386	1508	1679	1927	2171	2754
102"	782	906	1030	1165	1288	1407	1570	1724	1844	2096	2338	2830
108"	824	953	1083	1226	1354	1482	1651	1815	1942	2204	2462	2978
114"	874	1011	1151	1301	1440	1575	1752	1926	2061	2338	2610	3159
120"	937	1081	1235	1392	1538	1684	1872	2061	2205	2505	2796	3382
126"	1000	1152	1316	1484	1640	1796	1995	2197	2351	2670	2980	3606
132"	1066	1228	1402	1581	1748	1914	2127	2342	2506	2846	3177	3843

\* Vienna Shades over 96" IN HEIGHT must be fabricated with the Deluxe Headrail.

† Vienna Shades over 96" IN WIDTH may require additional fabrication and delivery time. †

Motorized Vienna Shades within the shaded area require a heavy duty motor.

 Minimum width 12"  
 Maximum width 114"  
 Minimum length 12"  
 Maximum length 132"

 PRICE GROUP  
**B**
**HORIZONTAL WINDOW SHADINGS**  
 STANDARD RECTANGULAR

## ◆ 2-INCH ROOM-DARKENING FABRICS

WIDTH TO >	23"	30"	36"	42"	48"	54"	60"	66"	72"	84"	96" †	114"
36"	492	553	613	674	735	800	859	925	1080	1214	1337	1625
42"	517	586	649	718	785	855	925	991	1158	1296	1431	1745
48"	544	615	690	761	837	911	988	1064	1228	1378	1527	1869
54"	568	648	728	809	884	968	1052	1139	1302	1463	1636	2045
60"	597	680	766	851	934	1028	1123	1216	1373	1553	1744	2188
66"	622	711	807	898	991	1091	1191	1293	1449	1652	1853	2325
72"	649	746	847	940	1047	1158	1260	1365	1527	1746	1957	2476
78"	669	770	876	982	1092	1209	1318	1433	1600	1835	2059	2601
84"	771	884	996	1120	1233	1341	1473	1605	1812	2039	2260	2732
90"	801	917	1036	1165	1280	1396	1533	1674	1887	2126	2355	2883
96"*	828	951	1076	1212	1332	1454	1598	1743	1960	2209	2455	3029
102"	862	990	1120	1261	1387	1514	1663	1814	2040	2299	2556	3153
108"	897	1031	1166	1313	1444	1576	1732	1888	2124	2394	2661	3283
114"	934	1073	1214	1367	1503	1641	1803	1966	2211	2492	2770	3417
122"	973	1117	1263	1423	1565	1708	1876	2046	2302	2594	2883	3558

\* Vienna Shades over 96" IN HEIGHT must be fabricated with the Deluxe Headrail.

† Vienna Shades over 96" IN WIDTH may require additional fabrication and delivery time. †

Motorized Vienna Shades within the shaded area require a heavy duty motor.

 Minimum width 12"  
 Maximum width 114"  
 Minimum length 12"  
 Maximum length 122"

## Soft Sheer Horizontal Window Shadings

**PRICE GROUP**  
**C**
**HORIZONTAL WINDOW SHADINGS**  
 STANDARD RECTANGULAR

◆ 3-INCH SHEER FABRICS

WIDTH TO >	23"	30"	36"	42"	48"	54"	60"	66"	72"	84"	96" †	114"
36"	490	550	615	673	736	801	859	924	1081	1213	1337	1625
42"	517	584	648	718	785	856	924	991	1155	1297	1431	1745
48"	546	616	690	760	837	910	988	1065	1231	1379	1527	1869
54"	569	647	727	808	887	968	1053	1140	1304	1461	1635	2045
60"	595	683	766	849	935	1027	1119	1214	1373	1555	1742	2188
66"	620	714	806	896	991	1090	1192	1292	1449	1653	1853	2325
72"	648	747	844	940	1046	1155	1260	1366	1527	1745	1960	2476
78"	666	773	875	982	1091	1207	1316	1432	1600	1832	2058	2602
84"	694	806	911	1031	1148	1267	1392	1509	1684	1931	2168	2733
90"	724	837	953	1079	1206	1334	1457	1584	1763	2024	2277	2884
96"*	750	872	993	1128	1260	1393	1524	1658	1847	2119	2388	3029
102"	861	996	1133	1281	1417	1548	1727	1896	2029	2305	2572	3113
108"	907	1048	1192	1348	1489	1630	1816	1997	2136	2424	2708	3276
114"	961	1112	1266	1431	1584	1732	1927	2118	2268	2572	2871	3475
120"	1031	1189	1358	1531	1692	1853	2059	2268	2425	2755	3075	3721
126"	1100	1267	1447	1632	1804	1976	2195	2417	2586	2937	3278	3967
132"	1172	1351	1542	1739	1922	2106	2340	2576	2757	3131	3494	4228

\* Vienna Shades over 96" IN HEIGHT must be fabricated with the Deluxe Headrail.

† Vienna Shades over 96" IN WIDTH may require additional fabrication and delivery time. †

Motorized Vienna Shades within the shaded area require a heavy duty motor.

 Minimum width 12"  
 Maximum width 114"  
 Minimum length 12"  
 Maximum length 132"

**PRICE GROUP**  
**D**
**HORIZONTAL WINDOW SHADINGS**  
 STANDARD RECTANGULAR

◆ 3-INCH ROOM-DARKENING FABRICS

WIDTH TO >	23"	30"	36"	42"	48"	54"	60"	66"	72"	84"	96" †	114"
36"	541	608	675	742	809	880	944	1017	1188	1336	1471	1788
42"	569	644	714	789	863	940	1017	1090	1274	1425	1575	1919
48"	598	676	759	837	921	1002	1087	1171	1351	1516	1679	2056
54"	625	713	801	890	972	1065	1157	1253	1432	1610	1800	2250
60"	657	747	842	936	1027	1130	1235	1337	1510	1709	1918	2407
66"	685	782	887	988	1090	1200	1311	1422	1594	1818	2038	2558
72"	714	820	932	1034	1151	1274	1386	1502	1679	1921	2153	2724
78"	736	847	964	1080	1202	1330	1450	1576	1760	2019	2265	2861
84"	848	972	1095	1232	1357	1475	1621	1766	1994	2242	2486	3005
90"	882	1009	1140	1281	1408	1535	1686	1841	2076	2339	2590	3171
96"*	911	1046	1183	1333	1466	1600	1758	1917	2156	2430	2701	3332
102"	948	1089	1232	1388	1526	1665	1830	1995	2244	2529	2811	3469
108"	987	1134	1282	1444	1588	1734	1905	2077	2336	2633	2927	3611
114"	1028	1181	1335	1504	1653	1805	1983	2162	2432	2741	3047	3759
122"	1070	1229	1390	1565	1721	1879	2064	2251	2532	2853	3172	3913

\* Vienna Shades over 96" IN HEIGHT must be fabricated with the Deluxe Headrail.

† Vienna Shades over 96" IN WIDTH may require additional fabrication and delivery time. †

Motorized Vienna Shades within the shaded area require a heavy duty motor.

 Minimum width 12"  
 Maximum width 114"  
 Minimum length 12"  
 Maximum length 122"

**Soft Sheer Horizontal Window Shadings**

◆ 2-INCH BRUSHED VANE

**PRICE GROUP E**  
**HORIZONTAL WINDOW SHADINGS**  
 STANDARD RECTANGULAR

WIDTH TO	23"	30"	36"	42"	48"	54"	60"	66"	72"	84"	96" †	114"
36"	401	450	503	551	602	655	703	756	885	992	1094	1329
42"	423	478	530	588	642	701	756	810	945	1061	1171	1428
48"	447	504	565	622	685	744	808	871	1007	1128	1249	1530
54"	465	529	594	661	726	792	862	933	1067	1196	1337	1674
60"	487	559	626	695	765	840	916	993	1124	1272	1425	1790
66"	508	584	660	733	810	892	975	1057	1185	1352	1516	1902
72"	530	612	690	769	856	945	1031	1118	1249	1428	1604	2026
78"	545	632	716	804	893	988	1077	1172	1309	1499	1684	2129
84"	568	660	745	844	940	1037	1139	1235	1377	1580	1774	2236
90"	592	685	780	882	987	1092	1192	1296	1443	1656	1863	2359
96"*	614	713	813	923	1031	1140	1247	1357	1511	1734	1954	2478
102"	704	815	927	1048	1159	1267	1413	1551	1660	1886	2105	2547
108"	742	857	975	1103	1219	1334	1486	1634	1748	1983	2215	2681
114"	786	910	1036	1171	1296	1417	1576	1733	1855	2105	2349	2843
120"	844	973	1111	1253	1384	1516	1685	1855	1984	2254	2516	3044
126"	900	1037	1184	1335	1476	1616	1796	1978	2116	2403	2682	3245
132"	959	1105	1262	1423	1573	1723	1915	2108	2255	2562	2859	3459

\* Vienna Shades over 96" IN HEIGHT must be fabricated with the Deluxe Headrail.

† Vienna Shades over 96" IN WIDTH may require additional fabrication and delivery time. †

Motorized Vienna Shades within the shaded area require a heavy duty motor.

 Minimum width 12"  
 Maximum width 114"  
 Minimum length 12"  
 Maximum length 132"

**PRICE GROUP F**  
**HORIZONTAL WINDOW SHADINGS**  
 STANDARD RECTANGULAR

◆ 3-INCH BRUSHED VANE

WIDTH TO	23"	30"	36"	42"	48"	54"	60"	66"	72"	84"	96" †	114"
36"	441	495	553	606	663	721	773	831	973	1091	1203	1462
42"	465	526	583	646	707	771	831	892	1040	1167	1288	1571
48"	492	555	621	684	753	819	889	958	1108	1241	1374	1682
54"	512	582	654	727	798	871	948	1026	1173	1315	1471	1841
60"	536	615	689	765	841	924	1007	1093	1236	1400	1568	1969
66"	558	643	726	806	892	981	1073	1163	1304	1488	1667	2092
72"	583	673	759	846	942	1040	1134	1230	1374	1571	1764	2228
78"	600	695	787	884	982	1086	1185	1289	1440	1649	1852	2341
84"	625	726	820	928	1034	1141	1252	1358	1515	1738	1952	2460
90"	651	753	858	971	1085	1201	1312	1426	1587	1822	2050	2595
96"*	675	785	894	1015	1134	1254	1372	1493	1662	1908	2149	2726
102"	775	897	1020	1153	1275	1393	1554	1706	1826	2075	2315	2802
108"	816	943	1073	1213	1340	1467	1635	1797	1923	2182	2437	2949
114"	865	1001	1139	1288	1426	1559	1734	1906	2041	2315	2584	3127
120"	928	1070	1222	1378	1523	1667	1853	2041	2183	2480	2768	3349
126"	990	1141	1303	1469	1623	1778	1975	2175	2328	2643	2950	3570
132"	1055	1216	1388	1566	1730	1895	2106	2319	2481	2818	3145	3805

\* Vienna Shades over 96" IN HEIGHT must be fabricated with the Deluxe Headrail.

† Vienna Shades over 96" IN WIDTH may require additional fabrication and delivery time. †

Motorized Vienna Shades within the shaded area require a heavy duty motor.

 Minimum width 12"  
 Maximum width 114"  
 Minimum length 12"  
 Maximum length 132"

## Finished Dimensions For Vienna Horizontal Window Shadings

Once ordered and manufactured, the width of the fabric cannot be altered. Your fabricator makes deductions to the width of Window Shadings depending on the type of mounting indicated. For all mounting types, fabric will measure exactly the length ordered when the vanes are in the open or "view-through" position.

### Note on Specifications

Due to variations in fabric weave and environmental conditions, the finished dimensions for both width and length may vary, plus or minus 1/8", from your order measurements.

### Inside Mount

- Headrail\* will measure ordered width minus: 3/16"
- Fabric will measure ordered width minus: 1 1/8"

### Side (End) Mount

- Headrail\* will measure ordered width minus: 1 1/16"
- Fabric will measure ordered width minus: 1 5/8"

### Outside Mount

- Headrail\* will measure ordered width plus: 3/16"
- Fabric will measure ordered width minus: 3/4"

### Exact End to End Mount

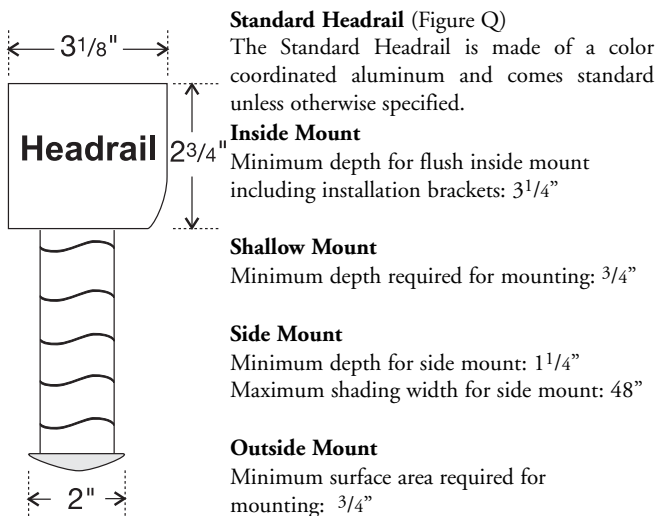
- Headrail\* will measure ordered width
- Fabric will measure ordered width minus: 1 5/16"

Width and length measurements may vary plus or minus 1/8"

\* Headrail measurement includes end caps

## Headrail Options

Vienna Soft Sheer Horizontal Window Shadings are available with your choice of two headrail styles - Standard and Deluxe. Both headrail styles utilize the same easy-to-install mounting brackets.

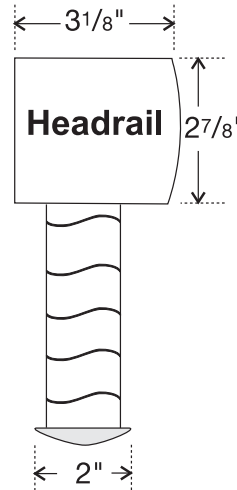


**Figure Q**

The color coordinated aluminum headrail is now referred to as the **Standard Headrail** and is standard on all Vienna Window Shadings less than 96" in length unless otherwise specified.

## Deluxe Headrail (Figure R)

The Deluxe Headrail is white aluminum with a color coordinated aluminum insert. This headrail is required on Shadings over 96" long, but is available on all Vienna Window Shadings upon request. There is now an integrated roll stop on shadings using the Deluxe Headrail.



**Figure R**

### Inside Mount

Minimum depth for flush inside mount including the installation brackets: 3 5/8"

### Shallow Mount

Minimum depth required for mounting: 3/4"

### Side Mount

Minimum depth for side mount: 1 1/4"  
 Maximum shading width for side mount: 48"

### Outside Mount

Minimum surface area required for mounting: 3/4"

### Headrail Inserts

The aluminum inserts for the Deluxe Headrail are available in the 16 Sheer colors. The five Room Darkening fabrics will be paired with the aluminum strips in the following colors:

#### Fabric Color

Arctic Ice 2100  
 Eggshell 2200  
 Dawn 2300  
 Cream 2400  
 Candlelight 2500

#### Insert Strip Color

Snow 1000  
 Pearl 1001  
 Stucco 1002  
 Pumice 1016  
 Pearl 1001

**The Deluxe Headrail is required on Vienna Window Shadings over 96" long but can be used on any Vienna Window Shading upon request.**

## Cord Information

Braided polyester cord styles will measure the length indicated below unless otherwise specified.

#### Shade Length

12" - 36"  
 36" - 48"  
 48" - 72"  
 72" - 96"  
 96" - 120"  
 120" - 132"

#### Standard Loop

2' (24")  
 3' (36")  
 4' (48")  
 5' (60")  
 6' (72")  
 7' (84")

Maximum cord lengths:

- Polyester cord - 15 feet

Cord can be ordered in custom lengths **in one foot increments only.**

(Cord information continued on page VS 5.)

## WARRANTY Information regarding Polyester Cord Option

Unlike its bead chain counterpart, the braided polyester cord does not have a reverse roll stop. If a shade with a braided polyester cord is raised above 24" in the "reverse roll" mode, there is a possibility of the fabric rubbing on the headrail. Your fabricator reserves the right NOT to warrant wear and tear of fabric if damaged by roll-up in excess of 24".

## Design and Operation Fabric Collections

Vienna Sheer Window Shadings are available with two different fabric vanes. Vienna Sheer fabric gently filters light while room darkening casts deep room darkening shadows. Please note that room darkening is not a blackout fabric.

## Shading Operation

Vienna Window Shadings feature the Omni-View Cord System. The Omni-View System provides the ability to manipulate the shading into various viewing positions. From the closed and retracted position (fabric inside the headrail), lower the fabric by pulling down on the rear of the loop cord until you reach the desired shading position.

Once lowered completely to the window sill, continuing to pull the cord in the same direction will open the horizontal fabric vanes, offering varied views to the outside. Continuing to pull the cord in the same direction will lift the shading while still in the view-through mode. To retract the shading, simply pull down on the front of the cord until the shading reaches the desired viewing mode or fabric position.

## Viewing Options

The Omni-View System provides a number of varied views to the outside for controlling light and privacy. Consequently, there are variations in visibility through the shadings when the vanes are tilted to their maximum open positions. The following five modes can be obtained with standard shading operation when viewing the shading at eye level.

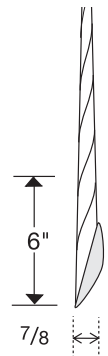
- ♦ **Closed top, open bottom** - By partially lowering the shading from the fully raised position, the upper portion of your window will become semi-opaque while allowing a clear view below.
- ♦ **Fully private** - When lowered completely, the shading provides complete privacy and softly diffuses light.
- ♦ **Partially open** - Opening the shading slightly will gradually increase the level of light and allow varying levels of "view-through."
- ♦ **View-through when lowered** - By completely opening the vanes, the shading provides a softened, veiled view to the outside.
- ♦ **View-through when raised** - From the open or view-through position, continuing to pull down on the back of the cord will raise the fabric allowing a clear view outside from below, and a veiled view above. This exclusive feature allows the shading to be raised up to 24" in this mode.

**Please refer to the Warranty Information Regarding Polyester Cord section for important details on the polyester cord.**

## Vane Closure (Figure S)

Vienna Window Shadings fabric vanes overlap and provide privacy when closed. However, the inherent nature of the fabric will cause a slight increase in the distance from the front sheer to back sheer as you move further down the shading. These vanes do not form a perfect seal against light leakage which is most visible toward the bottom of the shading.

Vane closure is measured as the distance between the front and rear fabric sheers 6" up from the lowest point of the bottom rail, with the shading fully lowered and the vanes closed. For sheer shadings, the maximum distance from the front sheer to the back sheer when closed is 7/8". On room darkening fabrics, the distance is 5/8".



**Figure S**

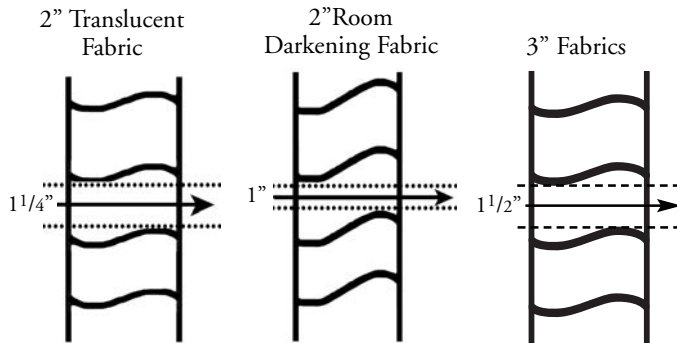
## Side by Side Alignment

When Vienna Window Shadings are installed side-by-side, vane alignment can be guaranteed within 1/4" only if:

- ♦ The shadings are the same color and ordered at the same time.
- ♦ The sum total of the widths of all shades needing alignment is less than 102".
- ♦ Side-by-side lineup must be specified when the order is placed.

## Vane Opening

Vanes on the two styles of Vienna fabrics open to slightly different degrees. Consequently, there are variations in visibility through the shadings when the vanes are tilted to their maximum open positions. The variations among the products are shown in the below illustration when looking through the shading  $\frac{1}{4}$  of the way up from the bottom.



## Leveling Vienna Window Shadings

Vienna Window Shadings are leveled and weighted in the factory. When installed level, the fabric will not skew when raised. If the headrail is not installed level, skewing can occur that can damage the edge of the fabric. Be sure to follow the installation instructions carefully to ensure correct and balanced operation.

## Hardware

### Hold Down Brackets

Hold down brackets are made of a clear plastic which fit into holes in the endcap of the bottom rail. Hold downs are generally used to secure the bottom of the window shading to prevent swaying.

### Extension Brackets

Extension or "L" brackets are available which can be used to project the back of the shading  $4\frac{1}{4}"$  from the mounting surface.

### Spacer Blocks

Spacer blocks project the shading  $\frac{3}{8}"$  from the mounting surface. Use spacer blocks to obtain clearance when obstructions, such as window cranks or door handles, obstruct the movement of the shading.

### Cord Tensioner

The cord tensioner keeps the cord taut to prevent children and pets from entangling and subsequently injuring themselves. It also allows the bead chain and roll stop to pass through easily, as well as the polyester cord. Cord tensioners must be used for this product to comply with the Consumer Product Safety Commission (CPSC) Child Safety guidelines.

## Important Measuring Guidelines For Vienna Horizontal Window Shadings

- Precise width and length measurements are critical. Fabric width cannot be altered after the shading is fabricated.
- Please use a metal tape measure for accuracy from home to factory.
- The headrail must be installed perfectly level and installed evenly to ensure smooth operation. On an inside mount, it is recommended that you check to see that the mounting surface is level and consistent. If your soffit needs to be leveled, this should be done before measuring.

## Length Considerations

Your fabricator will fabricate your Vienna Window Shading to the exact length ordered, when the vanes are in the open (or view-through) position. When the vanes are rotated to the closed position, the shading will become  $\frac{3}{8}"$  longer.

When closed on an inside mount, a slight puckering may occur on the lower most sheer section because of contact with the sill. To compensate, slightly raise the shading until the rail begins to lift off the window sill.

If preferred, the shading can be ordered  $\frac{3}{8}"$  less than the measured length of the window opening. In this case, the bottom rail will be positioned  $\frac{3}{8}"$  above the sill when the vanes are in the open position. (Figure T) Rotating the vanes closed will cause the bottom rail to touch the window sill, closing any space.

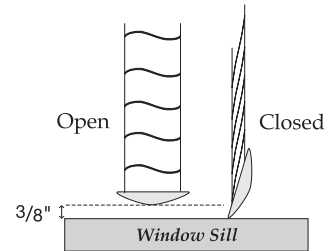
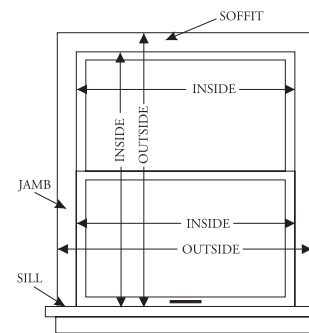


Figure T

## Measuring Instructions For Vienna Horizontal Window Shadings



### Inside Mount

Measure across the width of your window opening in three different places - top, middle and bottom. Measurements should be taken within the window jamb. Provide the smallest of the three measurements to your fabricator. Be exact. Your fabricator will make the necessary deductions to fit the window opening.

Measure the length of the window opening from the underside of the soffit to the surface of the window sill in two places - use the smallest of these two measurements.

### Outside Mount

Measure the exact width and length of the area to be covered. On the width, allow at least  $1\frac{1}{2}"$  of an overlap on each side. An overlap of  $3"$  on each side is recommended.

Be sure to take into consideration any obstructions such as window trim, molding, locks and window cranks.

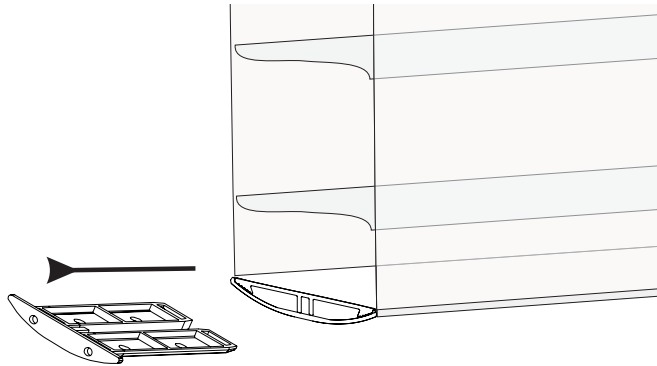
### Side Mount

Vienna may be side mounted using "L" brackets. For side mounts, follow the instructions for inside mounts. An additional  $\frac{1}{2}"$  will be taken off the standard inside mount deduction to allow room for the "L" brackets.

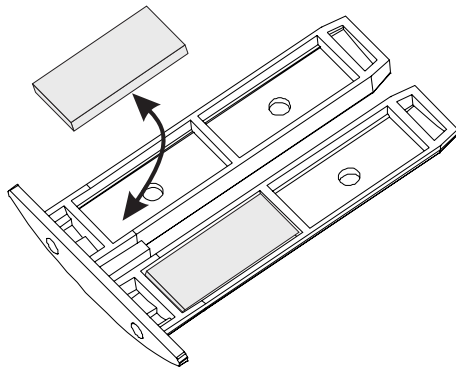
The maximum shade width utilizing the side mount option is  $48"$ .

### Skew Adjusting Bottom Rail

After installation, windows that are not square and level may cause the shadings to shift to one side as it rolls up, requiring adjustment of the bottom rail. Bottom rail endcaps are weighted with two weights on each side. Remove endcap from rail on finished shading. Weights are added or removed to adjust skewing. Add weight to the side the fabric shifts to, or remove weight from the opposite side.



Remove endcap from rail on finished shade



Add or remove weights to adjust

### Vienna Soft Sheer Horizontal Window Shadings Features at a Glance

- ◆ A window shading of unique beauty and performance for the finishing touch to a beautiful window and room.
- ◆ Horizontal fabric vanes float between two layers of soft, knitted fabric sheers, to soften your view outside with a choice of fabrics.
- ◆ All Soft Sheer Horizontal vane colors are featured between two layers of white sheer fabric except for Pearl Essence, color #3001. This unique color features sheer fabric that is perfectly matched to the Pearl color of the vane creating a rich tone-on-tone appearance.
- ◆ Available to widths of 114" and drops to 132" to provide visual elegance to the widest of windows.
- ◆ Vanes glide from open to closed to out of sight with elegant hardware.
- ◆ A choice of translucent or room darkening fabrics, which coordinate beautifully with Vienna Soft Sheer Verticals.
- ◆ Only the Omni-View cord system provides five distinctly different variations of vane position for numerous combinations of privacy, view and light control.
- ◆ Only with Vienna, partially raise the shading with the fabric vanes in the open, "view-through" position so you keep your view and still feel the outdoor breeze.
- ◆ A sliding weight system hidden in the bottom rail allows for on-the-spot skew adjustment for a balanced appearance in the window.
- ◆ Sophisticated array of colors which are designed to flatter your decor.
- ◆ Two different color coordinated headrail styles to maintain your sophisticated look.
- ◆ Low side light gap provides minimal light leakage on shading sides and above the headrail for increased privacy.
- ◆ Easy to install hardware and brackets allows for effortless installations and easy removal for cleaning.
- ◆ May be ultrasonically or traditionally cleaned to stay bright and beautiful.
- ◆ Limited Lifetime Warranty as a commitment to your satisfaction.

### Flame Resistance

- ◆ Soft Sheer Horizontal fabric may be processed with a topical treatment to resist flames and adhere to strict flammability codes. For more information, contact your fabricator.

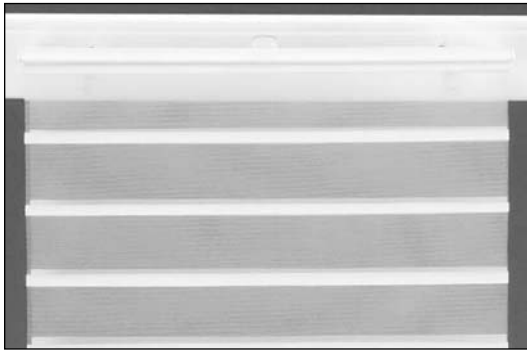
### Vienna Tilt Only Soft Sheers

Cover your Sidelights, Transoms or French Doors with a Tilt-Only Sheer. Tilt-Only Sheer feature a narrow headrail that can easily mount to a window frame or door with unobtrusive hinges. An operating handle will allow you to tilt the vanes from opened to fully closed.

Vienna Soft Sheers light filtering and room darkening fabric collections are available with the tilt-only option.

Rails and end caps on Tilt-Only Soft Sheers are matched to your fabric color selection.

Soft Sheers hinges and operating handles are available in three colors: white, brushed silver and brass to coordinate to traditional hardware. Please specify your color choice when ordering.



Tilt Only  
Sidelight Open



Tilt Only  
Sidelight Closed

### Width and Height Dimensions

#### Tilt-Only Shadings

Minimum Width: 6"  
 Minimum Height: 12"

Maximum Width: 72"  
 Maximum Height: 96"

\*Note: Shades over 72" high are limited to a maximum of 36" in width.

#### Finished Dimensions Tilt-Only Shadings

##### Inside Mount

-Headrail\* will measure ordered width minus: 3/16"  
 -Fabric will measure ordered width minus: 5/16"

##### Outside Mount

-Headrail\* will measure ordered width plus: 3/16"  
 -Fabric will measure ordered width  
 (width and height measurements may vary plus or minus 1/8")

##### Exact Mount

-Headrail\* will measure ordered width  
 -Fabric will measure ordered width minus: 3/16"  
 (width and height measurements may vary plus or minus 1/8")

Side Mount is not available for Tilt-Only Shadings

\*Headrail measurements include end caps.

### Mounting Requirements for Tilt-Only Soft Sheers

#### Inside Mount

Minimum depth for flush inside mount including installation hinges: 2 5/8"

#### Shallow Mount

Minimum depth required for mounting: 1 1/2"

#### Outside Mount

Minimum surface area required for mounting: 3/4"

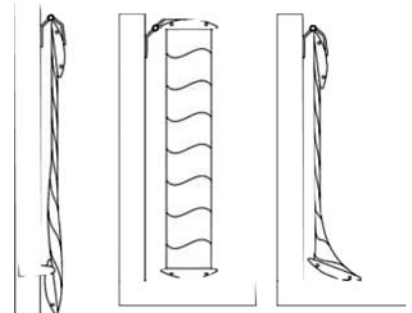
Side Mount is not available for Tilt-Only Shadings

#### Height Considerations

Your fabricator will fabricate your Tilt-Only Soft Sheers to the exact height ordered when the vanes are in the open (or view through) position. When the vanes are tilted to the closed position, the shading will become 1 3/4" longer.

When closed on an inside mount or when used with hold down brackets, a slight puckering may occur.

Please refer to drawings.



**Soft Sheer Horizontal Window Shadings**

◆ 2-INCH SHEER FABRICS

 PRICE GROUP  
**G**
**HORIZONTAL WINDOW SHADINGS**  
 STANDARD RECTANGULAR/TILT ONLY

WIDTH TO	6"	12"	18"	24"	30"	36"	42"	48"	54"	60"	66"	72"
12"	378	387	396	405	452	508	547	558	619	631	644	765
18"	379	391	402	413	463	522	563	578	643	658	674	804
24"	381	394	407	420	473	536	581	597	667	685	703	841
30"	383	399	414	428	484	550	598	617	691	712	732	878
36"	385	402	419	446	501	559	612	669	728	781	840	984
42"	413	434	453	470	531	589	653	714	779	840	900	1049
48"	425	448	471	498	560	627	691	760	827	898	968	1118
54"	437	462	488	517	587	660	734	807	880	959	1037	1186
60"	449	477	506	541	621	696	772	850	935	1017	1104	1249
66"	474	506	538	564	650	733	814	900	991	1084	1175	1317
72"	488	524	559	589	680	767	855	950	1049	1146	1242	1388
78"	501	539	578	606	703	795						
84"	517	558	598	631	733	829						
90"	532	575	620	657	760	866						
96"	547	594	642	683	793	903						

 PRICE GROUP  
**H**
**HORIZONTAL WINDOW SHADINGS**  
 STANDARD RECTANGULAR/TILT ONLY

◆ 2-INCH ROOM DARKENING FABRICS

WIDTH TO	6"	12"	18"	24"	30"	36"	42"	48"	54"	60"	66"	72"
12"	416	425	436	446	497	559	602	614	681	695	709	842
18"	417	430	442	454	509	574	620	636	708	724	741	885
24"	419	434	448	463	520	590	639	657	734	753	773	925
30"	422	439	455	471	532	605	658	679	760	783	805	965
36"	424	442	461	490	553	613	674	735	800	859	924	1081
42"	454	477	499	517	586	650	718	784	855	924	991	1158
48"	467	492	518	543	614	690	760	837	912	988	1064	1228
54"	480	508	537	567	649	728	809	884	968	1051	1139	1302
60"	494	525	556	598	680	767	852	935	1026	1123	1216	1374
66"	521	556	592	624	711	807	898	991	1091	1191	1293	1449
72"	537	577	615	650	746	846	940	1047	1158	1260	1365	1527
78"	551	593	636	669	770	877						
84"	568	614	658	711	885	996						
90"	585	633	683	802	917	1037						
96"	602	653	707	829	950	1075						

**Soft Sheer Horizontal Window Shadings**
**PRICE GROUP**  
**I**
**HORIZONTAL WINDOW SHADINGS**

STANDARD RECTANGULAR/TILT ONLY

◆ 3-INCH SHEER FABRICS

WIDTH TO	6"	12"	18"	24"	30"	36"	42"	48"	54"	60"	66"	72"
12"	416	425	436	446	497	559	602	614	681	695	709	842
18"	417	430	442	454	509	574	620	636	708	724	741	885
24"	419	434	448	463	520	590	639	657	734	753	773	925
30"	422	439	455	471	532	605	658	679	760	783	805	965
36"	424	442	461	490	551	615	673	736	801	859	924	1082
42"	454	477	499	518	584	648	718	786	857	924	989	1154
48"	467	492	518	547	616	691	760	837	910	987	1065	1231
54"	480	508	537	568	647	727	808	887	968	1053	1140	1304
60"	494	525	556	594	683	766	849	935	1028	1118	1214	1373
66"	521	556	592	620	714	807	897	989	1090	1192	1293	1448
72"	537	577	615	648	747	844	940	1046	1154	1259	1366	1528
78"	551	593	636	667	773	875						
84"	568	614	658	695	807	912						
90"	585	633	683	724	836	952						
96"	602	653	707	750	873	993						

**PRICE GROUP**  
**J**
**HORIZONTAL WINDOW SHADINGS**

STANDARD RECTANGULAR/TILT ONLY

◆ 3-INCH ROOM DARKENING FABRICS

WIDTH TO	6"	12"	18"	24"	30"	36"	42"	48"	54"	60"	66"	72"
12"	458	467	479	490	547	615	662	675	749	764	780	926
18"	459	473	487	500	560	632	683	699	779	796	816	973
24"	461	477	492	509	572	649	703	723	807	829	851	1018
30"	464	483	501	518	585	665	724	747	836	862	886	1061
36"	466	487	507	541	608	674	743	809	881	946	1017	1189
42"	500	525	549	568	644	714	789	863	940	1017	1090	1275
48"	514	542	569	596	675	759	837	922	1002	1088	1171	1352
54"	529	559	591	624	713	801	889	973	1065	1155	1253	1432
60"	543	578	612	657	747	842	937	1028	1129	1234	1338	1510
66"	573	612	650	686	782	887	987	1090	1200	1311	1422	1594
72"	591	634	676	714	820	932	1034	1151	1275	1386	1503	1679
78"	606	653	699	736	846	964						
84"	625	675	724	847	973	1094						
90"	643	697	750	882	1009	1140						
96"	662	719	776	912	1046	1182						

**Soft Sheer Horizontal Window Shadings**

 PRICE GROUP  
**K**
**HORIZONTAL WINDOW SHADINGS**

◆ 2-INCH BRUSHED VANE

STANDARD RECTANGULAR/TILT ONLY

WIDTH TO	6"	12"	18"	24"	30"	36"	42"	48"	54"	60"	66"	72"
12"	340	348	357	365	407	457	492	502	557	568	580	689
18"	341	352	362	371	417	470	507	520	579	593	606	723
24"	343	355	367	378	426	483	523	538	600	616	633	757
30"	345	359	372	385	435	495	539	555	622	641	658	790
36"	347	362	377	401	451	503	550	602	656	703	756	886
42"	371	390	408	423	478	530	588	642	701	756	810	944
48"	382	403	424	448	504	565	622	684	744	808	871	1006
54"	393	416	439	465	529	594	661	726	792	863	934	1067
60"	404	429	455	487	559	626	695	765	841	916	993	1124
66"	427	455	485	508	585	660	733	810	892	976	1057	1185
72"	439	472	503	530	612	690	769	855	944	1031	1117	1249
78"	451	486	520	545	633	715						
84"	465	502	539	568	659	746						
90"	479	518	558	592	684	779						
96"	492	535	578	614	714	813						

 PRICE GROUP  
**L**
**HORIZONTAL WINDOW SHADINGS**

◆ 3-INCH BRUSHED VANE

STANDARD RECTANGULAR/TILT ONLY

WIDTH TO	6"	12"	18"	24"	30"	36"	42"	48"	54"	60"	66"	72"
12"	374	382	392	401	447	503	542	552	613	625	638	758
18"	375	387	398	409	458	517	558	572	637	652	667	796
24"	377	390	403	417	468	531	575	592	660	678	696	832
30"	379	395	410	424	479	544	593	611	684	705	724	869
36"	381	398	415	441	496	553	605	663	721	773	831	974
42"	409	429	449	466	526	583	646	708	771	831	890	1039
48"	421	443	466	492	555	622	684	753	819	888	958	1108
54"	432	457	484	511	582	654	727	798	871	948	1026	1173
60"	444	473	500	535	615	689	765	841	925	1006	1093	1236
66"	469	500	533	558	643	726	807	890	981	1073	1164	1303
72"	484	519	553	583	673	759	846	942	1039	1133	1230	1375
78"	496	534	572	600	696	787						
84"	511	552	593	625	726	821						
90"	527	570	614	652	753	857						
96"	542	588	636	675	785	893						

## CHILD SAFETY

- Be aware that it is possible for children to become entangled in loose cords. To reduce the risk of accidents, all cords must be kept out of reach of children. Please take note of your shadings cord lengths and request shorter cords when possible.
- Cord tensioners are included in all Vienna Horizontal Window Shadings. Please urge customers to use them.

## CARE & CLEANING

The soft, delicate feel of the fabric belies the durability of the material. Vienna Horizontal Window Shadings are made from a sturdy, knitted polyester fabric which can be feather dusted or vacuumed at a low setting. Spots or stains can be lightly rubbed clean with a damp sponge and mild soap. To avoid discoloration of the material, we recommend against the use of chemical cleaners. The fabric may also be ultrasonically cleaned.

## LIFETIME LIMITED WARRANTY

Vienna™ Horizontal Window Shadings carry a lifetime limited warranty that covers the shades for as long as the original retail purchaser owns them, provided that the shades were properly installed. It's the customer's assurance of satisfaction and quality.



## WARRANTY INFORMATION

### VIENNA HORIZONTAL WARRANTY

#### Sheer Fabric

Knitted fabric may experience minor weave variations due to heat, humidity and other room conditions. These variations can result in light bowing, puckering and dimpling of the material. This is considered normal and does not constitute a failure in either workmanship or materials. The possible variations are minor and have been shown through case study, not to detract from the beauty of the product.

#### Warranty Information Regarding the Polyester Cord Option on Vienna Soft Sheer Horizontals

Unlike its bead chain counterpart, the braided polyester cord does not have a "reverse roll" stop. If a shade with a braided polyester cord is raised above 24" in the "reverse roll" mode, there is a possibility of the fabric rubbing on the headrail. Your fabricator reserves the right NOT to warrant wear and tear of fabric if damaged by roll-up in excess of 24".

#### Vienna Soft Sheer Horizontal Limited Lifetime Warranty

The manufacturer warrants that Vienna Soft Sheer Horizontals will be free from defects in materials and workmanship for as long as the original purchaser owns the product, provided that the product was installed properly and in accordance with the installation instructions. This limited lifetime warranty is extended to the original purchaser only, in the original window for which it was intended.

This warranty does not include any conditions or damages resulting from accidents, alterations, misuse, or failure to follow printed instructions on installation, cleaning and care, or repairs. This warranty also does not cover conditions resulting from normal wear and tear. Cords are considered a wearable part and carry a three year limited warranty.

To obtain service, contact the dealer from whom you purchased the product. The manufacturer will work with the dealer to repair or replace defective parts or components with similar or like parts at no charge.

THIS WARRANTY IS EXCLUSIVE AND IN LIEU OF ALL OTHER OBLIGATIONS, LIABILITIES OR WARRANTIES. In no event shall Turnils or its licensed fabricators or distributors be liable for INCIDENTAL OR CONSEQUENTIAL DAMAGES, or for any other damage, loss or expense, cost or fee associated with such damage. In some states, exclusions for incidental or consequential damages are not allowable.

This warranty gives you specific legal rights, and you may have additional rights that vary from state to state.