

## THE FAUX WOOD COLLECTION

For the value-minded, Worldwide offers a handsome selection of **Faux Wood Blinds** with the look and feel of genuine wood – but at more economical prices. Available in a variety of lively colors, these blinds feature:

- ◆ 2-inch warp-free slats that are resistant to high humidity and moisture
- ◆ 3 1/4-inch crown valance included at no additional charge
- ◆ Braided ladder construction

### *Options include:*

- ◆ Routless slat design (no visible cord holes)
- ◆ Designer decorative tape construction to provide accent color or coordinate with your room décor
- ◆ Battery-operated tilt motorization and remote control
- ◆ Slat cut-outs to clear window obstructions



## FAUX WOOD LIMITED

## Vinyl Alternative

**Faux Wood Limited** is an attractively priced alternative when the full range of sizes, colors and options available in our custom Faux Wood program is not required. **Faux Wood Limited** blinds are pre-made and cut to size and carry a 3 Year Warranty.

### FEATURES

- ◆ Standard Controls Only - cord tilt left/lift cord right
- ◆ 2" Slat in Smooth or Textured, Snow and Pearl
- ◆ 3 1/4" Crown Valance, 2 3/4" Standard Returns
- ◆ Cord Tilt Only
- ◆ Maximum Control Length 48"

### NOT AVAILABLE IN FAUX WOOD LIMITED:

- ◆ Cloth and Decorative Tapes
- ◆ 2 or 3 blinds on one head rail
- ◆ Common valance to cover more than one blind
- ◆ Routless
- ◆ Motorized

PRICE GROUP <b>FL</b>		<b>2-INCH FAUX WOOD LIMITED HORIZONTAL BLINDS STANDARD RECTANGULAR</b>					
WIDTH TO >		24"	28"	32"	36"	42"	48"
HEIGHT TO	42"	48	58	62	69	81	92
	48"	51	62	66	75	87	99
	54"	57	67	73	81	95	109
	60"	60	72	80	90	102	117
	66"	66	75	88	97	112	127
	72"	73	87	94	106	122	138
	78"	77	91	102	113	130	147
84"	81	96	108	121	138	160	

### ◆ SMOOTH & TEXTURED

- Snow Smooth (CT7FWSS)
- Snow Textured (CT8FWTS)
- Pearl Smooth (CT7FWSP)
- Pearl Textured (CT8FWTP)

For product samples please refer to Snow (FW902, FWT1002) and Pearl (FW903, FWT1003) in our Faux Wood Collection sample deck.

Minimum Width 20" - Minimum Height 12"

Maximum Width 48" - Maximum Height 84"

To determine your cost use the same multiplier you currently use on our standard Faux Wood Collection.

## Vinyl Alternative

**PRICE GROUP**  
**F1**
**2-INCH FAUX WOOD  
 HORIZONTAL BLINDS**  
 STANDARD RECTANGULAR

**◆ SMOOTH (FW) & TEXTURED (FWT)**

- Bright White (FW901, FWT1001) • Pearl (FW903, FWT1003)
- Snow (FW902, FWT1002) • Oyster (FW904, FWT1004)

WIDTH TO ▶	24"	28"	32"	36"	42"	48"	54"	60"	66"	72"	84"	
HEIGHT TO	30"	63	69	75	80	90	96	106	112	125	144	158
	36"	69	75	83	89	101	108	115	123	138	157	184
	42"	75	83	89	94	108	117	126	133	150	169	200
	48"	81	89	94	103	115	126	135	143	163	184	214
	54"	88	94	103	111	125	135	143	157	173	196	231
	60"	92	101	109	118	130	143	154	165	186	210	246
	66"	96	108	117	126	140	152	164	176	198	224	263
	73"	104	113	123	133	150	159	173	187	210	239	280
	78"	109	119	129	139	157	171	184	198	222	250	293
	86"	115	126	136	149	165	180	196	208	233	265	317
	96"	126	138	151	163	182	198	214	230	260	289	342
	108"	136	151	164	176	198	216	232	250	283	317	374
126"	148	166	179	190	217	235	255	268	308	344	404	

To price multiple blinds on one headrail:  
 Price each blind individually then add surcharge below.

Multiple Blinds On One Headrail Recommended for sizes to the right of this heavy line.

**OPTIONS & SURCHARGES:**

3 1/4" Crown Valance Standard .....	No Charge
Two Blinds on One Headrail .....	Add \$50
Three Blinds on One Headrail .....	Add \$60
Cut-Outs .....	Add per cut-out \$50
1 1/2-inch Cloth Tape .....	Add per blind 20%
Decorative Trims .....	Add per blind 50%
Undersize Surcharge .....	Add per blind \$50 (Blinds under 12" wide)
Crown Valance .....	\$8.20 per foot
Wood Slat .....	\$1.70 per foot

**FACTORY ALLOWANCES & DEDUCTIONS:**

+ or - 1/8" variance

	INSIDE MOUNT	OUTSIDE MOUNT
Headrail .....	Less 1/2"	Ordered Size
Slats .....	Less 1/2"	Ordered Size
Valance .....	Less 1/8"	Plus 1"

**2" FAUX WOOD LADDER SPACING & APPROX. STACKING HEIGHT:**

BLIND WIDTH	NO. OF LADDERS	NO. OF CORDS	BLIND LENGTH	STACKING HEIGHT
8" - 21"	2	2	24"	5"
21 1/8" - 32"	3	2	36"	6"
32 1/8" - 40"	4	2	48"	7"
40 1/8" - 46"	4	3	60"	8"
46 1/8" - 58"	5	3	72"	9"
58 1/8" - 70"	6	4	84"	10"
70 1/8" - 82"	7	4	96"	11"
82 1/8" - 96"	8	4		

**SPECIFICATIONS:**

Headrail Size .....	2" x 2 1/4"
Minimum Width .....	net 6 1/2"
Maximum Width (single blind) .....	84"
Minimum Length .....	12"
Maximum Length .....	126"
<b>Recommended</b> Maximum Width (single blind) .....	72"
(Over 72", two or three blinds on one headrail is recommended.)	
Minimum Mounting Space .....	1 1/8"
Flush Mounting Space Required .....	3"
Outside Mount Flat Space Required .....	2 1/4"
Outside Valance Returns .....	2 3/4"

Cord Tilt Standard - Wand Tilt Optional

 Blinds that measure 10" - 11 1/2" **net** width require center tilt only - cord or wand.

 Blinds that measure 6 1/2" - 9 7/8" **net** width require center wand tilt only.

Faux Wood (PVC) blinds must have split controls (LR or RL) to comply with warranty specifications. We will make blinds with group controls if requested, however, this will void warranty.

**1 1/2" CLOTH TAPE COLORS**

515 Alice Blue	378 Cocoa	516 Pink
513 Beige	520 Dark Green	627 Powder
524 Black	429 Desert Tan	521 Red
600 Bone	511 Duck	522 Royal Blue
293 Bordeaux	512 Fawn	526 Rust
518 Canary	572 Forest	823 Silver
525 Cappuccino	685 Midnight	336 Toffee
503 Celadon	504 Moss	302 Taupe
334 Cherry	519 Mulberry	510 White
523 Chocolate	517 Pastel Green	430 Wheat

**DECORATIVE TRIMS**

894 Tempo Ascot
321 Tempo Buff
483 Tempo Dune
106 Tempo Mediterranean
235 Finesse Florence
865 Finesse Madrid
015 Finesse Messina
104 Finesse Palma
831 Finesse Sydney
124 Finesse Turin
121 Finesse Tuscany
117 Finesse Verona

## Vinyl Alternative

**PRICE GROUP**  
**F2**

**2-INCH FAUX WOOD HORIZONTAL BLINDS**  
 ROUTLESS

◆ **SMOOTH (FW) & TEXTURED (FWT)**

- Bright White (FW901, FWT1001) • Pearl (FW903, FWT1003)
- Snow (FW902, FWT1002) • Oyster (FW904, FWT1004)

WIDTH TO	24"	28"	32"	36"	42"	48"	54"	60"	66"	72"	84"
30"	78	87	93	101	112	121	132	139	155	179	198
36"	87	93	104	111	125	134	144	154	172	197	229
42"	93	104	111	118	134	145	157	166	187	211	249
48"	102	111	118	128	144	157	169	178	203	229	268
54"	109	118	128	138	155	169	178	197	217	245	289
60"	114	125	135	148	164	178	193	205	231	262	307
66"	121	134	145	157	174	189	204	220	248	279	327
73"	129	141	154	166	187	200	217	233	262	297	350
78"	135	149	163	173	197	214	229	248	277	315	366
86"	144	157	170	185	205	225	245	260	291	331	396
96"	157	172	188	203	226	248	268	287	324	362	428
108"	170	188	204	220	248	270	290	315	355	396	468
126"	184	208	224	239	271	295	318	336	385	431	506

To price multiple blinds on one headrail:  
 Price each blind individually then add surcharge below.

Multiple Blinds On One Headrail Recommended for sizes to the right of this heavy line.

**OPTIONS & SURCHARGES:**

- 3 1/4" Crown Valance Standard ..... No Charge
- Two Blinds on One Headrail ..... Add \$50
- Three Blinds on One Headrail ..... Add \$60
- Cut-Outs ..... Add per cut-out \$50
- Undersize Surcharge ..... Add per blind \$50 (Blinds under 12" wide)
- Crown Valance ..... \$8.20 per foot
- Wood Slat ..... \$1.70 per foot

**SPECIFICATIONS:**

- Headrail Size ..... 2" x 2 1/4"
- Minimum Width ..... net 6 1/2"
- Maximum Width (single blind) ..... 84"
- Minimum Length ..... 12"
- Maximum Length ..... 126"
- Recommended Maximum Width (single blind) ..... 72" (Over 72", two or three blinds on one headrail is recommended.)
- Minimum Mounting Space ..... 1 1/8"
- Flush Mounting Space Required ..... 3"
- Outside Mount Flat Space Required ..... 2 1/4"
- Outside Valance Returns ..... 2 3/4"
- Cord Tilt Standard - Wand Tilt Optional

**FACTORY ALLOWANCES & DEDUCTIONS:**

+ or - 1/8" variance

	INSIDE MOUNT	OUTSIDE MOUNT
Headrail	Less 1/2"	Ordered Size
Slats	Less 1/2"	Ordered Size
Valance	Less 1/8"	Plus 1"

Blinds that measure 10" - 11 1/2" net width require center tilt only - cord or wand.

Blinds that measure 6 1/2" - 9 7/8" net width require center wand tilt only.

**2" FAUX WOOD LADDER SPACING & APPROX. STACKING HEIGHT:**

BLIND WIDTH	NO. OF LADDERS	NO. OF CORDS	BLIND LENGTH	STACKING HEIGHT
8" - 21"	2	2	24"	5"
21 1/8" - 32"	3	2	36"	6"
32 1/8" - 40"	4	2	48"	7"
40 1/8" - 46"	4	3	60"	8"
46 1/8" - 58"	5	3	72"	9"
58 1/8" - 70"	6	4	84"	10"
70 1/8" - 82"	7	4	96"	11"
82 1/8" - 96"	8	4		

**FAUX WOOD CORD LENGTH CHART**

Blind Height	Cord Length	Blind Height	Cord Length
30-32"	26"	66-70"	43"
30-35"	28"	71-73"	45"
36-40"	29"	74-76"	48"
41-45"	31"	77-79"	50"
46-50"	33"	80-82"	52"
51-55"	36"	83-86"	55"
56-60"	38"	87-90"	60"
61-63"	40"	91-109"	68"
64-65"	42"	110-126"	75"

The above chart applies to all 2" Faux Wood blinds.

## Vinyl Alternative

PRICE GROUP  
**F3**

**2-INCH FAUX WOOD  
 HORIZONTAL BLINDS**  
 STANDARD RECTANGULAR

◆ STAINS (FWS)

- Natural (FWS801) • Maple (FWS802) • Golden Oak (FWS803)
- Sienna (FWS804) • Cherry (FWS805) • Chestnut (FWS806)
- Mahogany (FWS807)

WIDTH TO ▶	24"	28"	32"	36"	42"	48"	54"	60"	66"	72"	84"	
HEIGHT TO	30"	69	76	82	88	99	106	116	123	138	159	174
	36"	76	82	92	98	110	119	127	135	152	173	202
	42"	82	92	98	103	119	128	139	146	165	186	220
	48"	89	98	103	113	127	139	148	158	179	202	235
	54"	96	103	113	122	138	148	158	173	190	215	254
	60"	101	110	120	129	143	158	169	181	205	231	271
	66"	106	119	128	139	154	167	180	194	218	246	289
	73"	114	125	135	146	165	175	190	206	231	262	308
	78"	120	130	142	153	173	188	202	218	245	275	322
	86"	127	139	149	163	181	198	215	228	256	292	348
	96"	139	152	166	179	200	218	235	253	286	318	376
	108"	149	166	180	194	218	238	255	275	312	348	412
126"	162	182	196	209	239	259	280	295	339	379	445	

To price multiple blinds on one headrail:  
 Price each blind individually then add surcharge below.

Multiple Blinds On One Headrail Recommended for sizes to the right of this heavy line.

**OPTIONS & SURCHARGES:**

- 3 1/4" Crown Valance Standard ..... No Charge
- Two Blinds on One Headrail ..... Add \$50
- Three Blinds on One Headrail ..... Add \$60
- Cut-Outs ..... Add per cut-out \$50
- 1 1/2-inch Cloth Tape ..... Add per blind 20%
- Decorative Trims ..... Add per blind 50%
- Undersize Surcharge ..... Add per blind \$50  
 (Blinds under 12" wide)
- Crown Valance ..... \$8.20 per foot
- Wood Slat ..... \$1.70 per foot

**FACTORY ALLOWANCES & DEDUCTIONS:**

+ or - 1/8" variance

	INSIDE MOUNT	OUTSIDE MOUNT
Headrail .....	Less 1/2"	Ordered Size
Slats .....	Less 1/2"	Ordered Size
Valance .....	Less 1/8"	Plus 1"

**2" FAUX WOOD LADDER SPACING & APPROX. STACKING HEIGHT:**

BLIND WIDTH	NO. OF LADDERS	NO. OF CORDS	BLIND LENGTH	STACKING HEIGHT
8" - 21"	2	2	24"	5"
21 1/8" - 32"	3	2	36"	6"
32 1/8" - 40"	4	2	48"	7"
40 1/8" - 46"	4	3	60"	8"
46 1/8" - 58"	5	3	72"	9"
58 1/8" - 70"	6	4	84"	10"
70 1/8" - 82"	7	4	96"	11"
82 1/8" - 96"	8	4		

**SPECIFICATIONS:**

- Headrail Size ..... 2" x 2 1/4"
- Minimum Width ..... net 6 1/2"
- Maximum Width (single blind) ..... 84"
- Minimum Length ..... 12"
- Maximum Length ..... 126"
- Recommended Maximum Width (single blind) ..... 72"  
 (Over 72", two or three blinds on one headrail is recommended.)
- Minimum Mounting Space ..... 1 1/8"
- Flush Mounting Space Required ..... 3"
- Outside Mount Flat Space Required ..... 2 1/4"
- Outside Valance Returns ..... 2 3/4"

Cord Tilt Standard - Wand Tilt Optional

Blinds that measure 10" - 11 1/2" net width require center tilt only - cord or wand.

Blinds that measure 6 1/2" - 9 7/8" net width require center wand tilt only.

Faux Wood (PVC) blinds must have split controls (LR or RL) to comply with warranty specifications. We will make blinds with group controls if requested, however, this will void warranty.

**1 1/2" CLOTH TAPE COLORS**

515 Alice Blue	378 Cocoa	516 Pink
513 Beige	520 Dark Green	627 Powder
524 Black	429 Desert Tan	521 Red
600 Bone	511 Duck	522 Royal Blue
293 Bordeaux	512 Fawn	526 Rust
518 Canary	572 Forest	823 Silver
525 Cappuccino	685 Midnight	336 Toffee
503 Celadon	504 Moss	302 Taupe
334 Cherry	519 Mulberry	510 White
523 Chocolate	517 Pastel Green	430 Wheat

**DECORATIVE TRIMS**

894 Tempo Ascot
321 Tempo Buff
483 Tempo Dune
106 Tempo Mediterranean
235 Finesse Florence
865 Finesse Madrid
015 Finesse Messina
104 Finesse Palma
831 Finesse Sydney
124 Finesse Turin
121 Finesse Tuscany
117 Finesse Verona

## Vinyl Alternative

**PRICE GROUP**  
**F4**  
**2-INCH FAUX WOOD HORIZONTAL BLINDS**  
 ROUTLESS

- ◆ **STAINS (FWS)**  
 • Natural (FWS801) • Maple (FWS802) • Golden Oak (FWS803)  
 • Sienna (FWS804) • Cherry (FWS805) • Chestnut (FWS806)  
 • Mahogany (FWS807)

WIDTH TO	24"	28"	32"	36"	42"	48"	54"	60"	66"	72"	84"
30"	86	95	102	110	123	133	145	153	170	196	218
36"	95	102	114	122	138	147	159	169	189	216	252
42"	102	114	122	129	147	160	173	182	206	232	274
48"	112	122	129	141	159	173	186	195	223	252	295
54"	120	129	141	152	170	186	195	216	239	269	318
60"	126	138	148	162	180	195	212	226	254	288	338
66"	133	147	160	173	192	208	225	242	273	307	360
73"	142	155	169	182	206	220	239	256	288	327	385
78"	148	163	179	190	216	235	252	273	305	346	402
86"	159	173	187	203	226	247	269	286	320	364	435
96"	173	189	207	223	248	273	295	315	356	398	471
108"	187	207	225	242	273	296	319	346	391	435	514
126"	202	228	246	262	298	325	349	369	424	474	557

To price multiple blinds on one headrail:  
 Price each blind individually then add surcharge below.

Multiple Blinds On One Headrail Recommended for sizes to the right of this heavy line.

### OPTIONS & SURCHARGES:

- 3 1/4" Crown Valance Standard ..... No Charge
- Two Blinds on One Headrail ..... Add \$50
- Three Blinds on One Headrail ..... Add \$60
- Cut-Outs ..... Add per cut-out \$50
- Undersize Surcharge ..... Add per blind \$50  
 (Blinds under 12" wide)
- Crown Valance ..... \$8.20 per foot
- Wood Slat ..... \$1.70 per foot

### FACTORY ALLOWANCES & DEDUCTIONS:

+ or - 1/8" variance

	INSIDE MOUNT	OUTSIDE MOUNT
Headrail	Less 1/2"	Ordered Size
Slats	Less 1/2"	Ordered Size
Valance	Less 1/8"	Plus 1"

### 2" FAUX WOOD LADDER SPACING & APPROX. STACKING HEIGHT:

BLIND WIDTH	NO. OF LADDERS	NO. OF CORDS	BLIND LENGTH	STACKING HEIGHT
8" - 21"	2	2	24"	5"
21 1/8" - 32"	3	2	36"	6"
32 1/8" - 40"	4	2	48"	7"
40 1/8" - 46"	4	3	60"	8"
46 1/8" - 58"	5	3	72"	9"
58 1/8" - 70"	6	4	84"	10"
70 1/8" - 82"	7	4	96"	11"
82 1/8" - 96"	8	4		

### SPECIFICATIONS:

- Headrail Size ..... 2" x 2 1/4"
- Minimum Width ..... net 6 1/2"
- Maximum Width (single blind) ..... 84"
- Minimum Length ..... 12"
- Maximum Length ..... 126"
- Recommended Maximum Width (single blind) ..... 72"  
 (Over 72", two or three blinds on one headrail is recommended.)
- Minimum Mounting Space ..... 1 1/8"
- Flush Mounting Space Required ..... 3"
- Outside Mount Flat Space Required ..... 2 1/4"
- Outside Valance Returns ..... 2 3/4"
- Cord Tilt Standard - Wand Tilt Optional

Blinds that measure 10" - 11 1/2" net width require center tilt only - cord or wand.

Blinds that measure 6 1/2" - 9 7/8" net width require center wand tilt only.

Faux Wood (PVC) blinds must have split controls (LR or RL) to comply with warranty specifications. We will make blinds with group controls if requested, however, this will void warranty.

FAUX WOOD CORD LENGTH CHART			
Blind Height	Cord Length	Blind Height	Cord Length
30-32"	26"	66-70"	43"
30-35"	28"	71-73"	45"
36-40"	29"	74-76"	48"
41-45"	31"	77-79"	50"
46-50"	33"	80-82"	52"
51-55"	36"	83-86"	55"
56-60"	38"	87-90"	60"
61-63"	40"	91-109"	68"
64-65"	42"	110-126"	75"

The above chart applies to all 2" Faux Wood blinds.

**Battery Powered Remote Control**

**MOTORIZED HORIZONTAL BLINDS**

Now you can automate the operation of your 2-inch Faux Wood Blinds from Worldwide – the ultimate in convenience and the perfect solution for hard-to-reach windows.

- ◆ Appropriate for both routed and routless blinds
- ◆ Battery-powered motorization utilizes infrared or RTS radio frequency with multi channel technology
- ◆ Virtually silent, maintenance-free operation
- ◆ Easy-to-use remote control
- ◆ Eliminates the need for tilt wands or cord tilts

**BATTERY OPERATION:**

Eight double AA lithium batteries are included with each motor. The battery pack can be placed in or behind the headrail.

**INFRARED REMOTE:**

Infrared remote must be pointed to receiver in blind. Remote will operate each blind individually.

**RADIO FREQUENCY REMOTE:**

Radio frequency remote will operate individual or multiple blinds at one time.

**SURCHARGES & OPTIONS:**

Infrared motor .....	Add \$425.00
Infrared remote control* .....	Add \$80.00
Radio frequency motor .....	Add \$400.00
Reloadable Battery Tube .....	Add \$75.00
AA Lithium Battery 8 Pack .....	Add \$85.00
Telis 1 Pure remote control single channel* .....	Add \$160.00
Telis 4 Pure remote control multiple channel (up to 5)* .....	Add \$205.00
Telis 1 Modulus Pure remote control single channel* .....	Add \$285.00
Telis 4 Modulus Pure remote control multiple channel (up to 5)* .....	Add \$385.00

2" Faux Wood Blinds: Maximum 60" x 60"

\*Remote control is not included with motorized blind. Please order remote control as a separate item and add surcharge above.

To figure your cost of finished blind take list price of standard blind, add price for motorization and remote control above, then deduct your Faux Wood Blind discount.

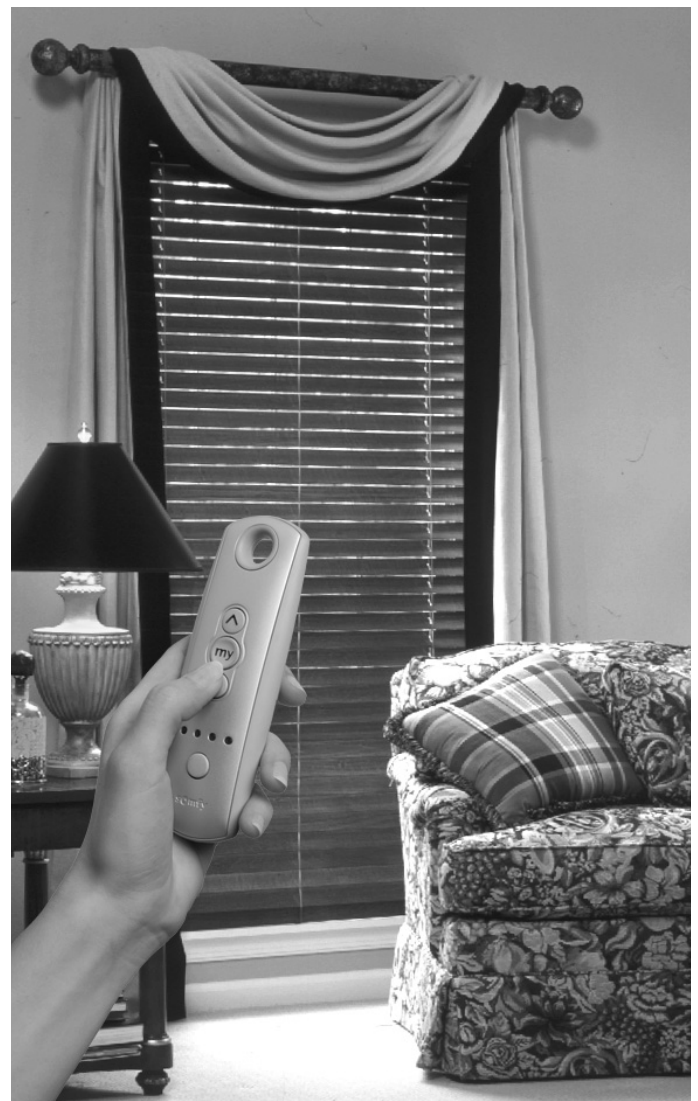


**Push-Button Blinds**

Imagine pushing a button and watching as your fashionable horizontal blinds tilt open or close to conveniently provide shade from the sun, privacy when you want it, or allow light to enter as you wish. All this is yours when you add Worldwide Window Fashions motorization.

**Easy to Use**

Simply point the sleek remote control toward the blinds and press the button. Horizontal blinds will tilt open and closed.



## Installation Guide

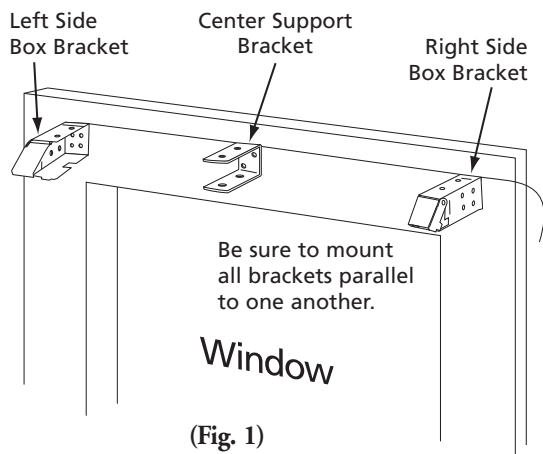
### MOUNTING BRACKETS

The box style mounting brackets are designed to work in all possible mounting applications. The diagram below indicates which screw holes to use for each option. (Fig. 4)

Mount brackets as shown below. Always use all brackets supplied. Blinds over 48" wide must have one support bracket, and blinds over 72" wide must have two. Space the support brackets as evenly as possible between the two end brackets. There should be no more than 48" between any two brackets.

**Important:** Avoid positioning support brackets in line with blind ladders or tapes. Blinds over 114" in height and multiple blinds on one headrail over 96" wide require an additional support bracket positioned 7" from the cordlock end of the headrail.

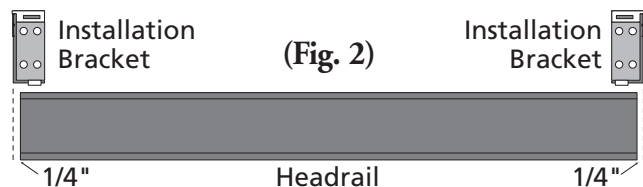
Use two screws to attach each support bracket. Locate the screws diagonally. Make sure the support bracket's top and back surfaces are aligned with the top and back surfaces of the two installation brackets. (Fig. 1)



(Fig. 1)

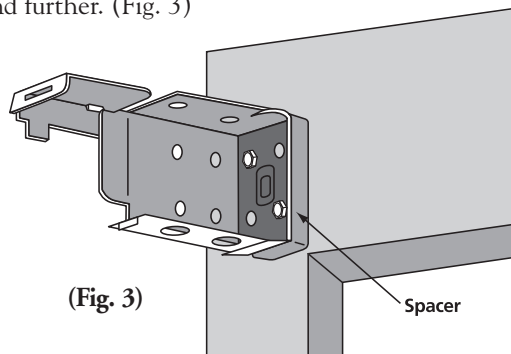
### OUTSIDE MOUNT

First, mark where to attach the two installation brackets. Hold the blind up to the window in the position where you want it installed. With the blind centered and level, mark the surface 1/4" past each end of the headrail. (Fig. 2)

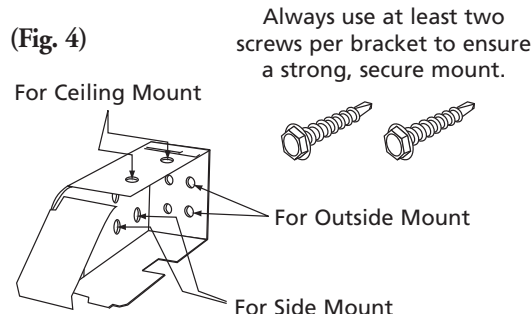


(Fig. 2)

Attach the installation brackets to the wall or molding with two screws. Position the screws, as shown (Fig. 4). Note that spacers can be used to project the blind further. (Fig. 3)



(Fig. 3)



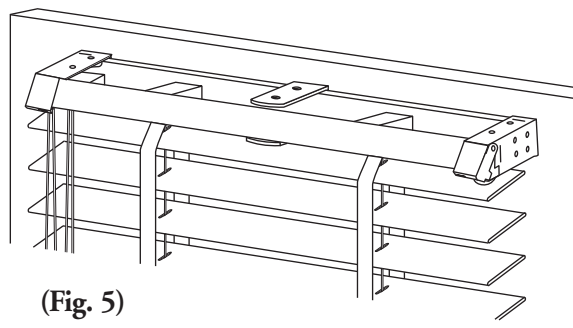
(Fig. 4)

### BRACKETS REQUIRED

All blinds require two end brackets.  
All 2 on 1's receive 1 center support bracket.  
All 3 on 1's receive 2 support brackets. Center support brackets for 2 on 1's and 3 on 1's should be placed between panels.

Blind Width	# of Center Support Brackets
Over 48"	1
Over 72"	2

Position the headrail in the box brackets as shown (Fig. 5). Swing the covers down and snap them closed. **Important:** Attach the valance clips before installing the headrail. See the "Valance Attachment" section (Fig. 10) on next page.

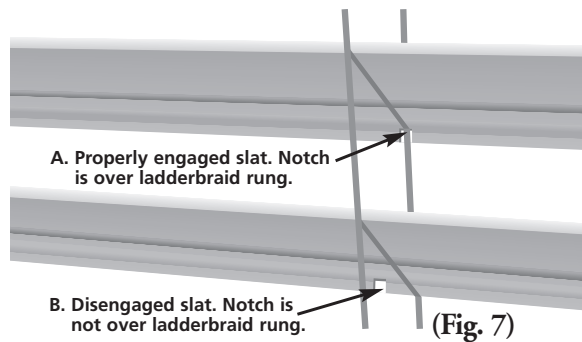


(Fig. 5)

## Installation Guide

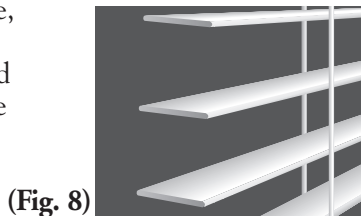
### ROUTLESS BLIND/PRIVACY SLAT INSTALLATION NOTE

Due to the unique stringing method of Routless Blinds, the slats may become disengaged during shipping, installation, and aggressive use. To ensure proper operation of the Routless/Privacy Slat Blind it is important to check the engagement of the slats on the ladderbraid. The notch in the slat should align with the ladderbraid. Slat A is properly engaged while slat B has disengaged. To fix a disengaged slat, simply move the slat by hand until the notch is properly seated on the ladderbraid.

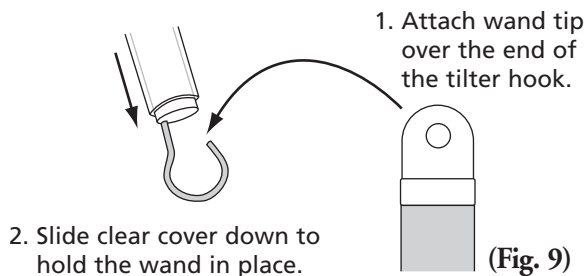


### ROUTLESS BLIND/PRIVACY SLAT OPERATION INSTRUCTIONS

For optimal performance, Routless Blinds should only be raised or lowered when the slats are in the horizontal position.



### TILT WAND ATTACHMENT



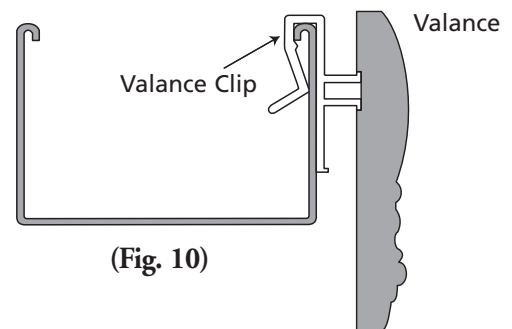
### VALANCE ATTACHMENT

Your blinds will be shipped with valance clips for attaching the valance.

#### WHEN USING VALANCE CLIPS:

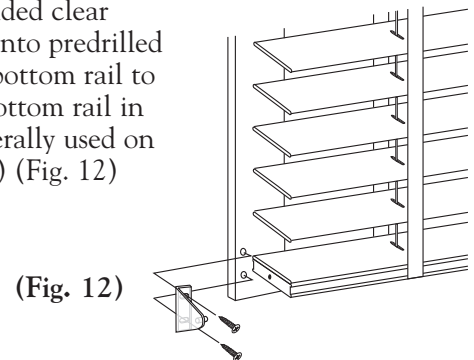
Install one clip on each end and space any others evenly in between, no more than 48" apart.

**Important:** Install the valance clips before mounting the headrail. (Fig. 10) Then, after mounting the headrail, attach the valance. Simply snap the valance into the valance clips.



### HOLD DOWN BRACKETS

Made of molded clear plastic. Fits into predrilled hole in the bottom rail to secure the bottom rail in place. (Generally used on door shades.) (Fig. 12)



### CHILD SAFETY

An important consideration in any blind installation is child safety. To prevent serious injuries or strangulations, all cords must be kept out of the reach of children. Cord-stops or other methods of keeping the cords from hanging within reach of a child should be utilized.

#### **⚠️ WARNING:**

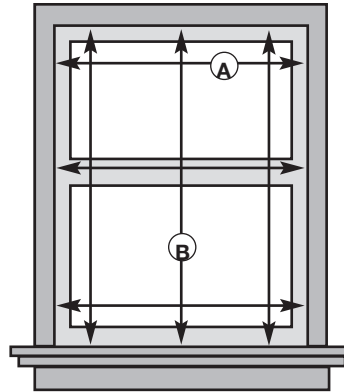
Young children can become entangled and strangle in cords. Keep all cords out of the reach of children.

## FAUX WOOD MEASURING GUIDELINES

Accurate measurements are essential, for both correct pricing and proper fit. Use only a hard-edged ruler or steel tape, never a cloth tape. For inside mounts, width measurements should be rounded down to the nearest 1/8" to prevent blind from binding against the window casing.

### INSIDE MOUNTING (IB)

- For **width** (A), measure across the window casing from one inside edge to the other in three places, top, middle, and bottom. Record the smallest width rounded down to the nearest 1/8".
- For **Length** (B), measure the inside area from the top inside edge down to the top of the sill in three places, left, middle and right. Record the shortest length rounded up to the nearest 1/8".
- The factory will make all the necessary deductions for inside mount.

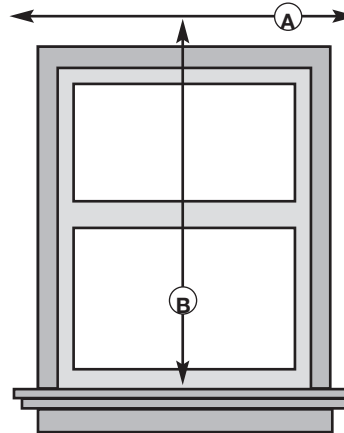


### INSIDE BRACKET MOUNTING REQUIREMENTS:

- Minimum Depth of Mounting Surface Required: ..... 1 1/8"
- Minimum Depth Required for Flush Mount: ..... 3"

### OUTSIDE MOUNTING (OB)

- For **width** (A), measure from one edge of the casing to the other, then add a minimum of 4" (2" each side), for blind overlap. Record the measurement rounded up to the nearest 1/8".
- For **Length** (B), measure from the top of the window sill up to the desired top of the blind. Again, record the measurements rounded up to the nearest 1/8".
- Outside mounted blinds are fabricated to order dimensions.

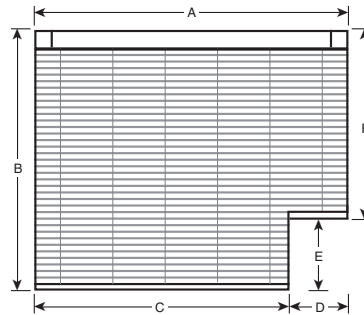


### OUTSIDE BRACKET MOUNTING REQUIREMENTS:

- Minimum Mounting Surface Required: ..... 2 1/4" x 1"
- Minimum Mounting Surface Required when using an Extension Bracket: ..... 1 1/8" x 1 5/16"

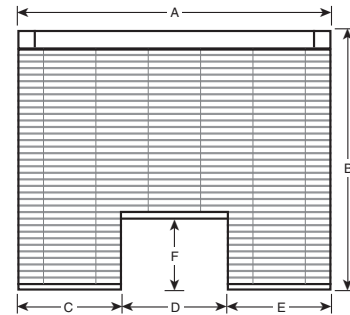
### CUT-OUTS:

Cut-out blinds have rectangular areas removed from the blind to avoid obstructions (such as an air-conditioner). Cut-outs may be either from one of the bottom corners or from the bottom middle of the blind. While a template is not required, when ordering a cut-out blind, a diagram of the blind with all dimensions noted must be included.



#### SIDE CUT-OUT:

- |                             |                            |
|-----------------------------|----------------------------|
| A - Overall Width of Blind  | D - Width of Cut-Out       |
| B - Overall Length of Blind | E - Height of Cut-Out      |
| C - Bottom Width of Blind   | F - Length of Shorter Side |



#### CENTER CUT-OUT:

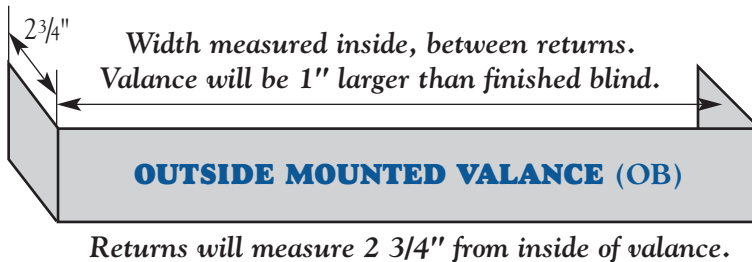
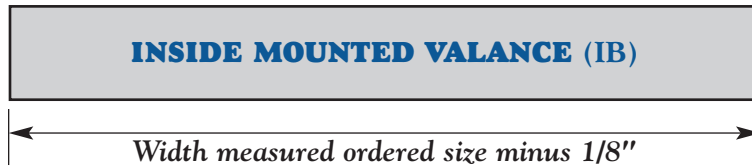
- |                             |                       |
|-----------------------------|-----------------------|
| A - Overall Width of Blind  | D - Width of Cut-Out  |
| B - Overall Length of Blind | E - Bottom Right Side |
| C - Bottom Left Side        | F - Height of Cut-Out |

**3 1/4-INCH FAUX WOOD CROWN VALANCE**

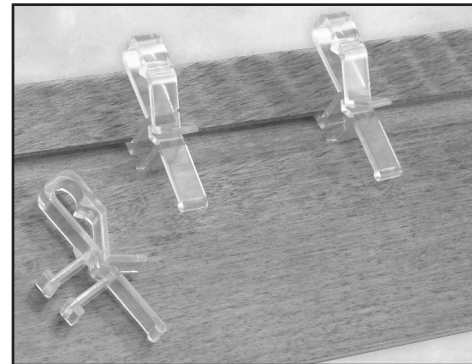
The 3 1/4-inch Faux Wood Crown Valance is standard on all Faux Wood blinds at no additional charge.

**MEASURING GUIDELINES FOR INSIDE MOUNTED BLINDS WITH OUTSIDE MOUNTED VALANCES**

- ❶ It is recommended to add 1-1/2" to ordered size for all Faux Wood Crown Valance options.
- ❷ The factory measures the face of the valance for width. All returns are measured from the face of the valance front to the back.



Faux Wood Vinyl Alternative  
3 1/4-inch Crown Valance



Install your valance using the above hidden valance clip.

**CARE & CLEANING**

**ROUTINE CLEANING**

Faux Wood vinyl and composite wood horizontal blinds are easy to care for. Occasional dusting with a feather duster or low suction vacuuming with a brush attachment is all that is needed to keep these blinds looking like new. They may also be gently cleaned with a soft cloth using an over-the-counter blind cleaner.

**MORE THOROUGH CLEANING**

Faux Wood vinyl and composite wood horizontal blinds may be taken down and dipped in the bathtub using a mild detergent.

**WARRANTY**

**LIMITED WARRANTY**

Faux Wood horizontal blinds carry a limited warranty that covers the blinds for as long as the original retail purchaser owns them, provided that the blinds were properly installed. Faux Wood Limited carry a 3 year warranty. For more details see Warranty page in General Information section of our Price & Reference Guide.

