

## THE WOOD BLINDS COLLECTION

Worldwide's **Premium Wood Collection** features rich, *furniture-quality stains* – the perfect choice for those special rooms where the warmth and beauty of finely-crafted wood is desired.

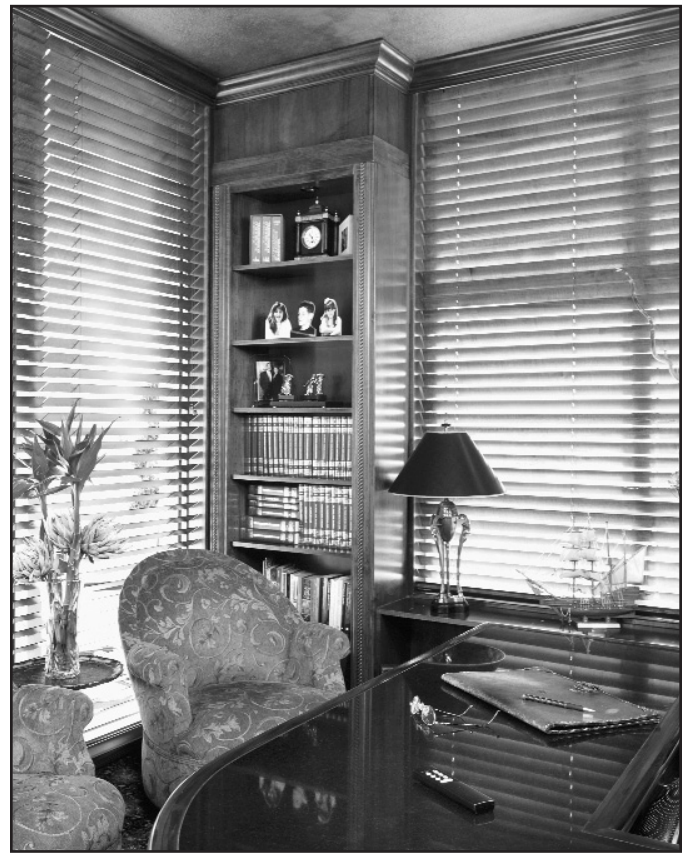
Alternatively, Worldwide's **Traditional Wood Collection** comes in a sumptuous variety of painted and stained finishes sure to enhance the look of any room in your home.

Both the *Premium* and *Traditional* versions of our natural basswood blinds feature:

- ◆ Generous, stylish 2-inch slats
- ◆ Complimentary 3 1/4-inch crown basswood valance for a rich, finished appearance
- ◆ Braided ladder construction
- ◆ Quality components to provide many years of trouble-free operation with minimal care

**Options include:**

- ◆ Routless slat design (no visible cord holes)
- ◆ Designer decorative tape construction to provide accent color or coordinate with your room décor
- ◆ Battery-operated tilt motorization and remote control
- ◆ Slat cut-outs to clear window obstructions



*Our Premium Wood Collection is the perfect window covering where the warmth and beauty of finely crafted wood is desired.*

## A Note About Wood Products...

The Wood Blinds in our Premium and Traditional Collection are made from 100% quality basswoods. As with all wood products, it is normal for there to be natural variations in color, grain, texture and warpage. These variations are within industry standards as acceptable quality, and should not be considered defects in material or fabrication.

## Traditional Basswood

PRICE GROUP		TRADITIONAL WOOD COLLECTION ♦ PAINTED											
1		2-INCH HORIZONTAL BLINDS											
		STANDARD RECTANGULAR											
WIDTH TO ▶		24"	28"	32"	36"	42"	48"	54"	60"	66"	72"	84"	96"
HEIGHT TO	30"	78	93	102	110	120	129	139	170	176	183	234	285
	36"	90	106	113	121	133	144	158	193	202	206	261	315
	42"	97	115	125	134	149	159	178	214	221	233	293	352
	48"	107	127	136	148	163	176	196	235	249	262	328	394
	54"	118	139	150	158	178	193	216	257	277	293	363	431
	60"	129	151	163	172	191	210	235	277	302	319	395	468
	66"	140	163	173	186	205	231	258	304	328	350	431	522
	73"	153	172	186	198	224	250	279	329	350	372	458	540
	78"	157	178	190	204	229	260	287	340	362	398	491	573
	86"	170	189	203	216	246	278	303	346	386	428	523	611
	96"	188	208	222	235	272	307	337	390	439	480	589	687
	108"	206	228	245	263	303	343	377	434	490	538	657	762
120"	216	239	259	277	320	362	395	459	514	568	690	800	
126"	234	261	282	305	336	380	414	473	538	592	723	837	

To price multiple blinds on one headrail:  
Price each blind individually then add surcharge below.

Multiple Blinds On One Headrail Recommended  
for sizes to the right of this heavy line.

### OPTIONS & SURCHARGES:

3 1/4" Wood Crown Valance Standard	..... No Charge
Two Blinds on One Headrail	..... Add \$50
Three Blinds on One Headrail	..... Add \$60
Cut-Outs	..... Add per cut-out \$50
1 1/2" Cloth Tape	..... Add per blind 20%
Decorative Trims	..... Add per blind 50%
Undersize Surcharge	..... Add per blind \$50
<i>(Blinds under 12" wide)</i>	
Crown Valance	..... \$8.60 per foot
Wood Slat	..... \$1.80 per foot

### FACTORY ALLOWANCES & DEDUCTIONS:

+ or - 1/8" variance

	INSIDE MOUNT	OUTSIDE MOUNT
Headrail	..... Less 1/2"	..... Ordered Size
Slats	..... Less 1/2"	..... Ordered Size
Valance	..... Less 1/8"	..... Plus 1"

### LADDER SPACING CHART:

BLIND WIDTH (net)	LADDERS	CORDS
8" - 32"	2	2
32 1/8" - 56"	3	2
56 1/8" - 78"	4	4
78 1/8" - 96"	5	4

### APPROX. STACKING HEIGHT:

BLIND LENGTH	STACKING HEIGHT
24"	5"
36"	6"
48"	7"
60"	8"
72"	9"
84"	10"
96"	11"

### SPECIFICATIONS:

Headrail Size	..... 2" x 2 1/4"
Minimum Width	..... net 6 1/2"
Maximum Width (single blind)	..... 96"
Minimum Length	..... 12"
Maximum Length	..... 126"
<b>Recommended</b> Maximum Width (single blind)	..... 72"
<i>(Over 72", two or three blinds on one headrail is recommended.)</i>	
Minimum Mounting Space	..... 1 1/8"
Flush Mounting Space Required	..... 3"
Outside Mount Flat Space Required	..... 2 1/4"
Outside Valance Returns	..... 2 3/4"

Cord Tilt Standard - Wand Tilt Optional

Blinds with widths 11 5/8" to 24" net must have split controls

Blinds with widths 10" to 11 1/2" net require center tilt only - cord or wand

Blinds with widths 6 1/2" to 9 7/8" net require center wand tilt only

### 1 1/2" CLOTH TAPE COLORS

515 Alice Blue	378 Cocoa	516 Pink
513 Beige	520 Dark Green	627 Powder
524 Black	429 Desert Tan	521 Red
600 Bone	511 Duck	522 Royal Blue
293 Bordeaux	512 Fawn	526 Rust
518 Canary	572 Forest	823 Silver
525 Cappuccino	685 Midnight	336 Toffee
503 Celadon	504 Moss	302 Taupe
334 Cherry	519 Mulberry	510 White
523 Chocolate	517 Pastel Green	430 Wheat

### DECORATIVE TRIMS

894 Tempo Ascot
321 Tempo Buff
483 Tempo Dune
106 Tempo Mediterranean
235 Finesse Florence
865 Finesse Madrid
015 Finesse Messina
104 Finesse Palma
831 Finesse Sydney
124 Finesse Turin
121 Finesse Tuscany
117 Finesse Verona

## Traditional Basswood

PRICE GROUP	TRADITIONAL WOOD COLLECTION											◆ TRADITIONAL STAINED	
	2-INCH HORIZONTAL BLINDS											<ul style="list-style-type: none"> <li>Natural (115) • Pine (116) • Maple (112)</li> <li>Pecan (123) • Cherry (118) • Golden Oak (120)</li> <li>Walnut (122) • Chestnut (119) • Mahogany (121)</li> </ul>	
STANDARD RECTANGULAR													
WIDTH TO	24"	28"	32"	36"	42"	48"	54"	60"	66"	72"	84"	96"	
HEIGHT TO	30"	80	96	107	114	125	134	144	178	184	190	243	296
	36"	93	109	118	126	139	150	165	201	210	214	271	325
	42"	103	120	129	140	154	167	185	224	230	243	305	364
	48"	111	132	143	153	168	184	203	245	260	272	342	409
	54"	122	145	155	166	185	201	225	265	288	305	379	447
	60"	134	156	168	180	200	219	245	287	313	331	412	485
	66"	147	169	182	193	213	241	267	316	343	364	447	542
	73"	158	180	193	205	232	262	290	343	364	386	476	560
	78"	164	185	198	212	239	270	300	353	377	414	509	595
	86"	176	196	211	226	257	288	315	359	401	444	543	633
	96"	196	216	231	245	282	320	349	405	456	501	614	713
	108"	214	236	255	273	316	357	390	453	508	560	682	792
120"	225	247	268	288	334	377	412	477	534	591	718	831	
126"	243	271	295	318	348	395	431	492	560	616	752	870	

To price multiple blinds on one headrail:  
 Price each blind individually then add surcharge below.

Multiple Blinds On One Headrail Recommended  
 for sizes to the right of this heavy line.

### OPTIONS & SURCHARGES:

- 3 1/4" Wood Crown Valance Standard ..... No Charge
- Two Blinds on One Headrail ..... Add \$50
- Three Blinds on One Headrail ..... Add \$60
- Cut-Outs ..... Add per cut-out \$50
- 1 1/2" Cloth Tape ..... Add per blind 20%
- Decorative Trims ..... Add per blind 50%
- Undersize Surcharge ..... Add per blind \$50  
 (Blinds under 12" wide)
- Crown Valance ..... \$8.60 per foot
- Wood Slat ..... \$1.80 per foot

### FACTORY ALLOWANCES & DEDUCTIONS:

+ or - 1/8" variance

	INSIDE MOUNT	OUTSIDE MOUNT
Headrail	Less 1/2"	Ordered Size
Slats	Less 1/2"	Ordered Size
Valance	Less 1/8"	Plus 1"

### LADDER SPACING CHART:

BLIND WIDTH (net)	LADDERS	CORDS
8" - 32"	2	2
32 1/8" - 56"	3	2
56 1/8" - 78"	4	4
78 1/8" - 96"	5	4

### APPROX. STACKING HEIGHT:

BLIND LENGTH	STACKING HEIGHT
24"	5"
36"	6"
48"	7"
60"	8"
72"	9"
84"	10"
96"	11"

### SPECIFICATIONS:

- Headrail Size ..... 2" x 2 1/4"
- Minimum Width ..... net 6 1/2"
- Maximum Width (single blind) ..... 96"
- Minimum Length ..... 12"
- Maximum Length ..... 126"
- Recommended Maximum Width (single blind) ..... 72"  
 (Over 72", two or three blinds on one headrail is recommended.)
- Minimum Mounting Space ..... 1 1/8"
- Flush Mounting Space Required ..... 3"
- Outside Mount Flat Space Required ..... 2 1/4"
- Outside Valance Returns ..... 2 3/4"

Cord Tilt Standard - Wand Tilt Optional

Blinds with widths 11 5/8" to 24" net must have split controls

Blinds with widths 10" to 11 1/2" net require center tilt only - cord or wand

Blinds with widths 6 1/2" to 9 7/8" net require center wand tilt only

### 1 1/2" CLOTH TAPE COLORS

515 Alice Blue	378 Cocoa	516 Pink
513 Beige	520 Dark Green	627 Powder
524 Black	429 Desert Tan	521 Red
600 Bone	511 Duck	522 Royal Blue
293 Bordeaux	512 Fawn	526 Rust
518 Canary	572 Forest	823 Silver
525 Cappuccino	685 Midnight	336 Toffee
503 Celadon	504 Moss	302 Taupe
334 Cherry	519 Mulberry	510 White
523 Chocolate	517 Pastel Green	430 Wheat

### DECORATIVE TRIMS

894 Tempo Ascot
321 Tempo Buff
483 Tempo Dune
106 Tempo Mediterranean
235 Finesse Florence
865 Finesse Madrid
015 Finesse Messina
104 Finesse Palma
831 Finesse Sydney
124 Finesse Turin
121 Finesse Tuscany
117 Finesse Verona

## Traditional Basswood

PRICE GROUP	TRADITIONAL WOOD COLLECTION		◆ TRADITIONAL PAINTED & STAINED										
	<b>3</b>	<b>2-INCH HORIZONTAL BLINDS</b>	• All Colors										
<b>ROUTLESS</b>													
WIDTH TO	24"	28"	32"	36"	42"	48"	54"	60"	66"	72"	84"	96"	
HEIGHT TO	30"	97	117	127	137	150	163	173	213	220	228	293	356
	36"	112	132	141	152	166	179	198	241	241	259	325	393
	42"	122	144	155	168	185	200	221	268	276	291	366	439
	48"	133	158	170	184	203	220	245	295	311	326	412	492
	54"	148	173	187	198	221	241	270	320	346	366	454	538
	60"	163	188	203	215	240	262	295	346	377	398	493	584
	66"	174	203	217	231	257	289	321	379	412	438	538	652
	73"	190	215	231	248	279	315	348	413	438	463	571	675
	78"	197	221	239	255	286	324	358	424	453	497	612	717
	86"	213	235	254	270	307	347	378	432	484	534	655	763
	96"	234	260	277	295	340	383	420	488	549	601	737	858
	108"	259	285	306	327	378	429	470	543	611	673	820	951
120"	270	297	322	346	399	453	493	573	642	708	863	1000	
126"	293	325	353	381	418	474	516	591	673	739	904	1046	

To price multiple blinds on one headrail:  
 Price each blind individually then add surcharge below.

Multiple Blinds On One Headrail Recommended  
 for sizes to the right of this heavy line.

### OPTIONS & SURCHARGES:

- 3 1/4" Wood Crown Valance Standard ..... No Charge
- Two Blinds on One Headrail ..... Add \$50
- Three Blinds on One Headrail ..... Add \$60
- Cut-Outs ..... Add per cut-out \$50
- Undersize Surcharge ..... Add per blind \$50  
 (Blinds under 12" wide)
- Crown Valance ..... \$8.60 per foot
- Wood Slat ..... \$1.80 per foot

### FACTORY ALLOWANCES & DEDUCTIONS:

+ or - 1/8" variance		<b>INSIDE MOUNT</b>	<b>OUTSIDE MOUNT</b>
Headrail	Less 1/2"		Ordered Size
Slats	Less 1/2"		Ordered Size
Valance	Less 1/8"		Plus 1"

### LADDER SPACING CHART:

BLIND WIDTH (net)	LADDERS	CORDS
8" - 32"	2	2
32 1/8" - 56"	3	2
56 1/8" - 78"	4	4
78 1/8" - 96"	5	4

### APPROX. STACKING HEIGHT:

BLIND LENGTH	STACKING HEIGHT
24"	5"
36"	6"
48"	7"
60"	8"
72"	9"
84"	10"
96"	11"

### SPECIFICATIONS:

- Headrail Size ..... 2" x 2 1/4"
- Minimum Width ..... net 6 1/2"
- Maximum Width (single blind) ..... 96"
- Minimum Length ..... 12"
- Maximum Length ..... 126"
- Recommended Maximum Width (single blind) ..... 72"  
 (Over 72", two or three blinds on one headrail is recommended.)
- Minimum Mounting Space ..... 1 1/8"
- Flush Mounting Space Required ..... 3"
- Outside Mount Flat Space Required ..... 2 1/4"
- Outside Valance Returns ..... 2 3/4"
- Cord Tilt Standard - Wand Tilt Optional
- Blinds with widths 11 5/8" to 24" net must have split controls
- Blinds with widths 10" to 11 1/2" net require center tilt only - cord or wand
- Blinds with widths 6 1/2" to 9 7/8" net require center wand tilt only

### WOOD CORD LENGTH CHART

Blind Height	Cord Length	Blind Height	Cord Length
30-32"	26"	66-70"	43"
30-35"	28"	71-73"	45"
36-40"	29"	74-76"	48"
41-45"	31"	77-79"	50"
46-50"	33"	80-82"	52"
51-55"	36"	83-86"	55"
56-60"	38"	87-90"	60"
61-63"	40"	91-109"	68"
64-65"	42"	110-126"	75"

The above chart applies to all 2" Wood blinds.

## Premium Basswood

**PRICE GROUP**  
**4**
**PREMIUM WOOD COLLECTION**  
**2-INCH HORIZONTAL BLINDS**  
 STANDARD RECTANGULAR

**◆ PREMIUM STAINED**

- Cinnamon Spice (201) • Cognac (202)
- Bordeaux (203) • Royal Mahogany (204)

WIDTH TO ▶	24"	28"	32"	36"	42"	48"	54"	60"	66"	72"	84"	96"
HEIGHT TO ↑ 30"	107	128	142	152	167	178	193	236	245	254	323	395
36"	124	145	156	168	185	199	219	267	279	285	361	433
42"	137	159	172	186	205	222	246	297	306	323	407	485
48"	148	175	190	203	224	245	271	326	347	362	456	545
54"	163	194	206	220	246	267	300	353	383	407	505	596
60"	178	208	224	240	266	292	326	382	417	441	549	646
66"	195	225	242	257	283	321	356	420	458	485	596	723
73"	211	240	257	274	309	349	386	458	485	515	634	746
78"	218	246	263	282	318	359	399	471	502	552	678	793
86"	235	261	280	301	342	383	419	479	535	592	724	844
96"	261	288	308	326	377	426	464	540	608	668	818	950
108"	285	315	339	364	420	476	520	603	677	746	908	1055
120"	300	329	357	383	445	502	549	636	711	787	957	1108
126"	323	361	394	424	463	526	575	656	746	822	1003	1160

To price multiple blinds on one headrail:  
 Price each blind individually then add surcharge below.

Multiple Blinds On One Headrail Recommended  
 for sizes to the right of this heavy line.

**OPTIONS & SURCHARGES:**

- 3 1/4" Wood Crown Valance Standard ..... No Charge
- Two Blinds on One Headrail ..... Add \$50
- Three Blinds on One Headrail ..... Add \$60
- Cut-Outs ..... Add per cut-out \$50
- 1 1/2" Cloth Tape ..... Add per blind 20%
- Decorative Trims ..... Add per blind 50%
- Undersize Surcharge ..... Add per blind \$50  
 (Blinds under 12" wide)
- Crown Valance ..... \$8.60 per foot
- Wood Slat ..... \$1.80 per foot

**FACTORY ALLOWANCES & DEDUCTIONS:**

	+ or - 1/8" variance	<b>INSIDE MOUNT</b>	<b>OUTSIDE MOUNT</b>
Headrail .....		Less 1/2"	Ordered Size
Slats .....		Less 1/2"	Ordered Size
Valance .....		Less 1/8"	Plus 1"

**LADDER SPACING CHART:**

BLIND WIDTH (net)	LADDERS	CORDS
8" - 32"	2	2
32 1/8" - 56"	3	2
56 1/8" - 78"	4	4
78 1/8" - 96"	5	4

**APPROX. STACKING HEIGHT:**

BLIND LENGTH	STACKING HEIGHT
24"	5"
36"	6"
48"	7"
60"	8"
72"	9"
84"	10"
96"	11"

**SPECIFICATIONS:**

- Headrail Size ..... 2" x 2 1/4"
- Minimum Width ..... net 6 1/2"
- Maximum Width (single blind) ..... 96"
- Minimum Length ..... 12"
- Maximum Length ..... 126"
- Recommended** Maximum Width (single blind) ..... 72"  
 (Over 72", two or three blinds on one headrail is recommended.)
- Minimum Mounting Space ..... 1 1/8"
- Flush Mounting Space Required ..... 3"
- Outside Mount Flat Space Required ..... 2 1/4"
- Outside Valance Returns ..... 2 3/4"
- Cord Tilt Standard - Wand Tilt Optional

Blinds with widths 11 5/8" to 24" net must have split controls  
 Blinds with widths 10" to 11 1/2" net require center tilt only - cord or wand  
 Blinds with widths 6 1/2" to 9 7/8" net require center wand tilt only

**1 1/2" CLOTH TAPE COLORS**

515 Alice Blue	378 Cocoa	516 Pink
513 Beige	520 Dark Green	627 Powder
524 Black	429 Desert Tan	521 Red
600 Bone	511 Duck	522 Royal Blue
293 Bordeaux	512 Fawn	526 Rust
518 Canary	572 Forest	823 Silver
525 Cappuccino	685 Midnight	336 Toffee
503 Celadon	504 Moss	302 Taupe
334 Cherry	519 Mulberry	510 White
523 Chocolate	517 Pastel Green	430 Wheat

**DECORATIVE TRIMS**

894 Tempo Ascot
321 Tempo Buff
483 Tempo Dune
106 Tempo Mediterranean
235 Finesse Florence
865 Finesse Madrid
015 Finesse Messina
104 Finesse Palma
831 Finesse Sydney
124 Finesse Turin
121 Finesse Tuscany
117 Finesse Verona

## Premium Basswood

**PRICE GROUP**  
**5**

**PREMIUM WOOD COLLECTION**  
**2-INCH HORIZONTAL BLINDS**  
 ROUTLESS

- ◆ **PREMIUM STAINED**
- Cinnamon Spice (201) • Cognac (202)
  - Bordeaux (203) • Royal Mahogany (204)

WIDTH TO ▶	24"	28"	32"	36"	42"	48"	54"	60"	66"	72"	84"	96"	
HEIGHT TO	30"	128	154	171	183	200	214	231	285	295	305	389	475
	36"	149	174	188	202	222	240	264	322	336	343	434	522
	42"	165	191	208	225	247	267	296	358	369	389	489	584
	48"	178	211	230	245	270	295	326	393	417	435	549	656
	54"	196	233	248	265	296	322	361	426	462	489	608	718
	60"	214	250	270	288	321	352	393	460	503	531	661	778
	66"	234	271	291	309	341	386	429	506	551	584	718	871
	73"	254	288	309	329	372	420	465	551	584	619	764	899
	78"	262	296	318	339	383	432	480	567	604	664	817	955
	86"	282	313	338	362	412	462	505	577	644	713	872	1016
	96"	313	347	370	393	453	514	560	650	732	803	985	1144
	108"	343	379	409	438	506	573	627	726	815	899	1095	1271
120"	361	396	431	462	536	604	661	766	857	948	1152	1335	
126"	389	434	474	510	557	633	692	790	899	990	1208	1396	

To price multiple blinds on one headrail:  
 Price each blind individually then add surcharge below.

Multiple Blinds On One Headrail Recommended  
 for sizes to the right of this heavy line.

### OPTIONS & SURCHARGES:

- 3 1/4" Wood Crown Valance Standard ..... No Charge
- Two Blinds on One Headrail ..... Add \$50
- Three Blinds on One Headrail ..... Add \$60
- Cut-Outs ..... Add per cut-out \$50
- Undersize Surcharge ..... Add per blind \$50  
 (Blinds under 12" wide)
- Crown Valance ..... \$8.60 per foot
- Wood Slat ..... \$1.80 per foot

### FACTORY ALLOWANCES & DEDUCTIONS:

+ or - 1/8" variance

	INSIDE MOUNT	OUTSIDE MOUNT
Headrail	Less 1/2"	Ordered Size
Slats	Less 1/2"	Ordered Size
Valance	Less 1/8"	Plus 1"

### LADDER SPACING CHART:

BLIND WIDTH (net)	LADDERS	CORDS
8" - 32"	2	2
32 1/8" - 56"	3	2
56 1/8" - 78"	4	4
78 1/8" - 96"	5	4

### APPROX. STACKING HEIGHT:

BLIND LENGTH	STACKING HEIGHT
24"	5"
36"	6"
48"	7"
60"	8"
72"	9"
84"	10"
96"	11"

### SPECIFICATIONS:

- Headrail Size ..... 2" x 2 1/4"
- Minimum Width ..... net 6 1/2"
- Maximum Width (single blind) ..... 96"
- Minimum Length ..... 12"
- Maximum Length ..... 126"
- Recommended Maximum Width (single blind) ..... 72"  
 (Over 72", two or three blinds on one headrail is recommended.)
- Minimum Mounting Space ..... 1 1/8"
- Flush Mounting Space Required ..... 3"
- Outside Mount Flat Space Required ..... 2 1/4"
- Outside Valance Returns ..... 2 3/4"
- Cord Tilt Standard - Wand Tilt Optional
- Blinds with widths 11 5/8" to 24" net must have split controls
- Blinds with widths 10" to 11 1/2" net require center tilt only - cord or wand
- Blinds with widths 6 1/2" to 9 7/8" net require center wand tilt only

### WOOD CORD LENGTH CHART

Blind Height	Cord Length	Blind Height	Cord Length
30-32"	26"	66-70"	43"
30-35"	28"	71-73"	45"
36-40"	29"	74-76"	48"
41-45"	31"	77-79"	50"
46-50"	33"	80-82"	52"
51-55"	36"	83-86"	55"
56-60"	38"	87-90"	60"
61-63"	40"	91-109"	68"
64-65"	42"	110-126"	75"

The above chart applies to all 2" Wood blinds.

**Battery Powered Remote Control**

**MOTORIZED HORIZONTAL BLINDS**

Now you can automate the operation of your 2-inch Wood Blinds from Worldwide – the ultimate in convenience and the perfect solution for hard-to-reach windows.

- ◆ Appropriate for both routed and routless blinds
- ◆ Battery-powered motorization utilizes infrared or RTS radio frequency with multi channel technology
- ◆ Virtually silent, maintenance-free operation
- ◆ Easy-to-use remote control
- ◆ Eliminates the need for tilt wands or cord tilts

**BATTERY OPERATION:**

Eight double AA lithium batteries are included with each motor. The battery pack can be placed in or behind the headrail.

**INFRARED REMOTE:**

Infrared remote must be pointed to receiver in blind. Remote will operate each blind individually.

**RADIO FREQUENCY REMOTE:**

Radio frequency remote will operate individual or multiple blinds at one time.

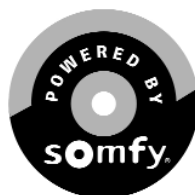
**SURCHARGES & OPTIONS:**

Infrared motor .....	Add \$425.00
Infrared remote control* .....	Add \$80.00
Radio frequency motor .....	Add \$400.00
Reloadable Battery Tube .....	Add \$75.00
AA Lithium Battery 8 Pack .....	Add \$85.00
Telis 1 Pure remote control single channel* .....	Add \$160.00
Telis 4 Pure remote control multiple channel (up to 5)* .....	Add \$205.00
Telis 1 Modulis Pure remote control single channel* .....	Add \$285.00
Telis 4 Modulis Pure remote control multiple channel (up to 5)* .....	Add \$385.00

2" Wood Blinds: Maximum 72" x 72"

\*Remote control is not included with motorized blind. Please order remote control as a separate item and add surcharge above.

To figure your cost of finished blind take list price of standard blind, add price for motorization and remote control above, then deduct your Wood Blind discount.

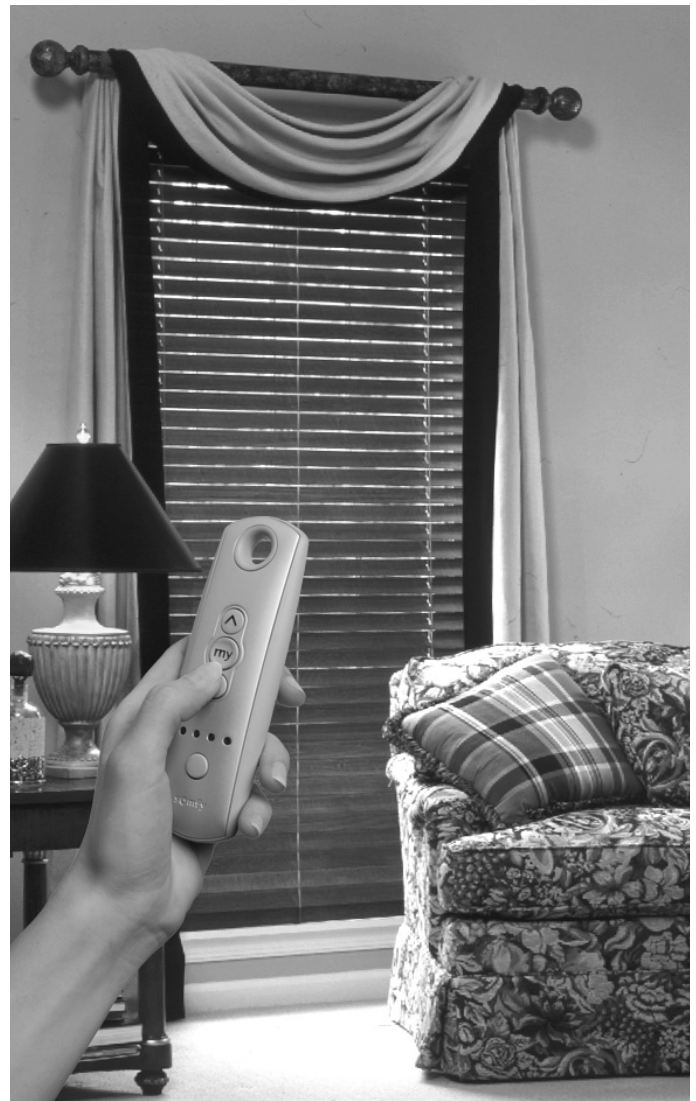


**Push-Button Blinds**

Imagine pushing a button and watching as your fashionable horizontal blinds tilt open or close to conveniently provide shade from the sun, privacy when you want it, or allow light to enter as you wish. All this is yours when you add Worldwide Window Fashions motorization.

**Easy to Use**

Simply point the sleek remote control toward the blinds and press the button. Horizontal blinds will tilt open and closed.



## Installation Guide

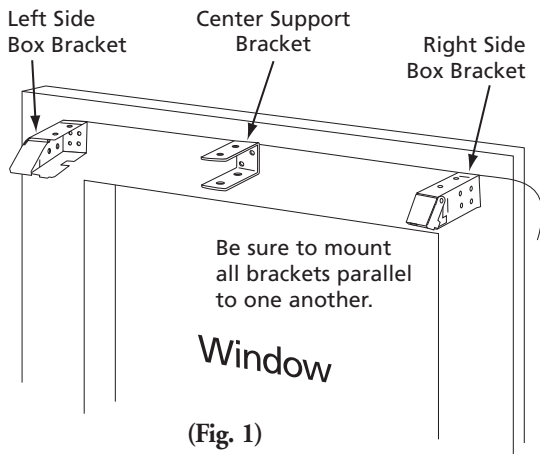
### MOUNTING BRACKETS

The box style mounting brackets are designed to work in all possible mounting applications. The diagram below indicates which screw holes to use for each option. (Fig. 4)

Mount brackets as shown below. Always use all brackets supplied. Blinds over 48" wide must have one support bracket, and blinds over 72" wide must have two. Space the support brackets as evenly as possible between the two end brackets. There should be no more than 48" between any two brackets.

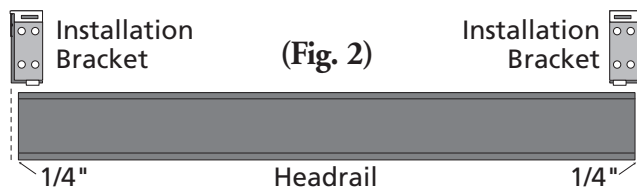
**Important:** Avoid positioning support brackets in line with blind ladders or tapes. Blinds over 114" in height and multiple blinds on one headrail over 96" wide require an additional support bracket positioned 7" from the cordlock end of the headrail.

Use two screws to attach each support bracket. Locate the screws diagonally. Make sure the support bracket's top and back surfaces are aligned with the top and back surfaces of the two installation brackets. (Fig. 1)

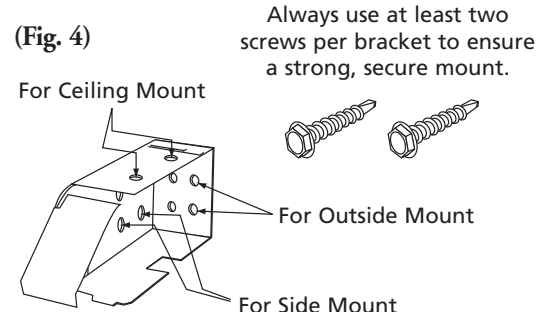
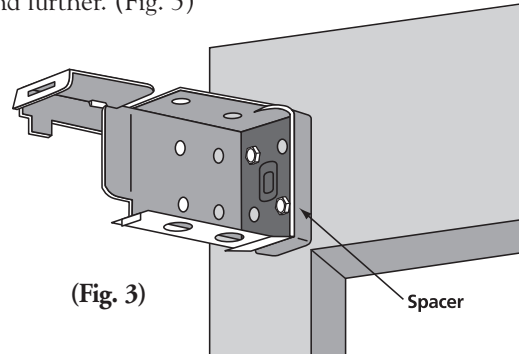


### OUTSIDE MOUNT

First, mark where to attach the two installation brackets. Hold the blind up to the window in the position where you want it installed. With the blind centered and level, mark the surface 1/4" past each end of the headrail. (Fig. 2)



Attach the installation brackets to the wall or molding with two screws. Position the screws, as shown (Fig. 4). Note that spacers can be used to project the blind further. (Fig. 3)



### BRACKETS REQUIRED

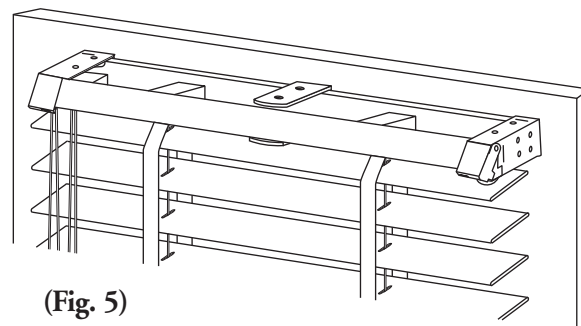
All blinds require two end brackets.

All 2 on 1's receive 1 center support bracket.

All 3 on 1's receive 2 support brackets. Center support brackets for 2 on 1's and 3 on 1's should be placed between panels.

Blind Width	# of Center Support Brackets
Over 48"	1
Over 72"	2

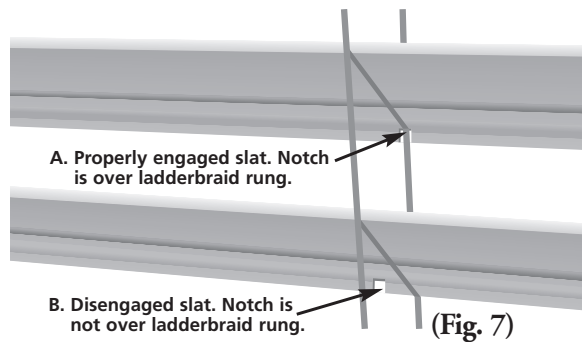
Position the headrail in the box brackets as shown (Fig. 5). Swing the covers down and snap them closed. **Important:** Attach the valance clips before installing the headrail. See the "Valance Attachment" section (Fig. 10) on next page.



## Installation Guide

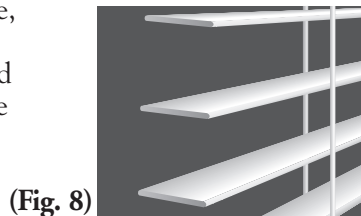
### ROUTLESS BLIND/PRIVACY SLAT INSTALLATION NOTE

Due to the unique stringing method of Routless Blinds, the slats may become disengaged during shipping, installation, and aggressive use. To ensure proper operation of the Routless/Privacy Slat Blind it is important to check the engagement of the slats on the ladderbraid. The notch in the slat should align with the ladderbraid. Slat A is properly engaged while slat B has disengaged. To fix a disengaged slat, simply move the slat by hand until the notch is properly seated on the ladderbraid.

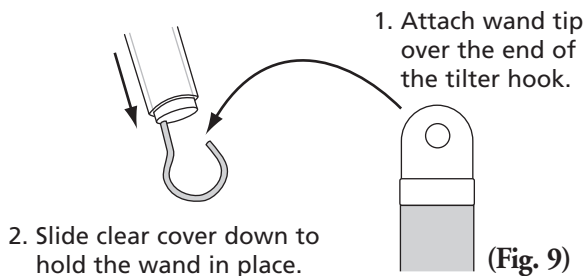


### ROUTLESS BLIND/PRIVACY SLAT OPERATION INSTRUCTIONS

For optimal performance, Routless Blinds should only be raised or lowered when the slats are in the horizontal position.



### TILT WAND ATTACHMENT



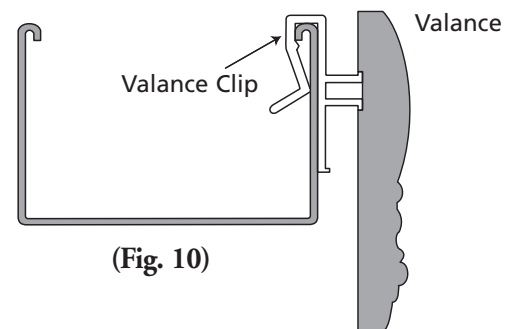
### VALANCE ATTACHMENT

Your blinds will be shipped with valance clips for attaching the valance.

#### WHEN USING VALANCE CLIPS:

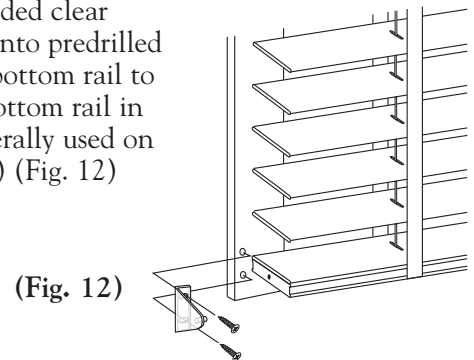
Install one clip on each end and space any others evenly in between, no more than 48" apart.

**Important:** Install the valance clips before mounting the headrail. (Fig. 10) Then, after mounting the headrail, attach the valance. Simply snap the valance into the valance clips.



### HOLD DOWN BRACKETS

Made of molded clear plastic. Fits into predrilled hole in the bottom rail to secure the bottom rail in place. (Generally used on door shades.) (Fig. 12)



### CHILD SAFETY

An important consideration in any blind installation is child safety. To prevent serious injuries or strangulations, all cords must be kept out of the reach of children. Cord-stops or other methods of keeping the cords from hanging within reach of a child should be utilized.

#### **⚠ WARNING:**

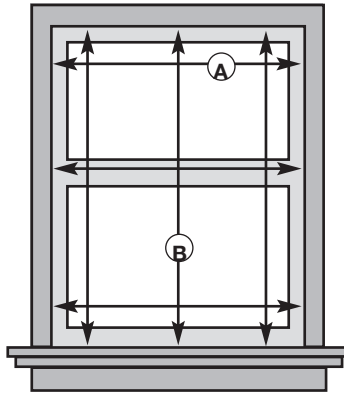
Young children can become entangled and strangle in cords. Keep all cords out of the reach of children.

### MEASURING GUIDELINES

Accurate measurements are essential, for both correct pricing and proper fit. Use only a hard-edged ruler or steel tape, never a cloth tape. For inside mounts, width measurements should be rounded down to the nearest 1/8" to prevent blind from binding against the window casing.

#### INSIDE MOUNTING (IB)

- For **width** (A), measure across the window casing from one inside edge to the other in three places, top, middle, and bottom. Record the smallest width rounded down to the nearest 1/8".
- For **Length** (B), measure the inside area from the top inside edge down to the top of the sill in three places, left, middle and right. Record the shortest length rounded up to the nearest 1/8".
- The factory will make all the necessary deductions for inside mount.

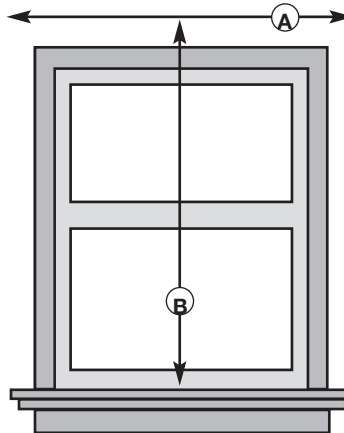


#### INSIDE BRACKET MOUNTING REQUIREMENTS:

- Minimum Depth of Mounting Surface Required: ..... 1 1/8"
- Minimum Depth Required for Flush Mount: ..... 3"

#### OUTSIDE MOUNTING (OB)

- For **width** (A), measure from one edge of the casing to the other, then add a minimum of 4" (2" each side), for blind overlap. Record the measurement rounded up to the nearest 1/8".
- For **Length** (B), measure from the top of the window sill up to the desired top of the blind. Again, record the measurements rounded up to the nearest 1/8".
- Outside mounted blinds are fabricated to order dimensions.

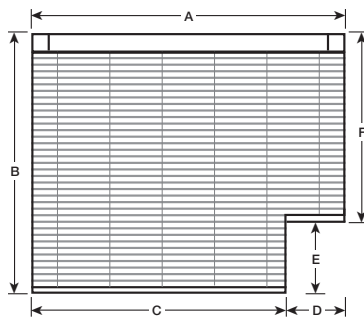


#### OUTSIDE BRACKET MOUNTING REQUIREMENTS:

- Minimum Mounting Surface Required: ..... 2 1/4" x 1"
- Minimum Mounting Surface Required when using an Extension Bracket: ..... 1 1/8" x 1 5/16"

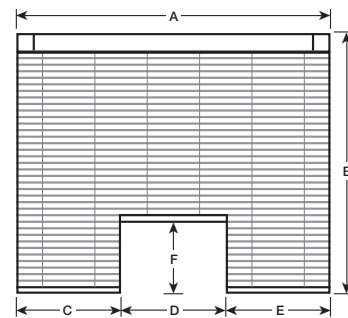
#### CUT-OUTS:

Cut-out blinds have rectangular areas removed from the blind to avoid obstructions (such as an air-conditioner). Cut-outs may be either from one of the bottom corners or from the bottom middle of the blind. While a template is not required, when ordering a cut-out blind, a diagram of the blind with all dimensions noted must be included.



#### SIDE CUT-OUT:

- |                             |                            |
|-----------------------------|----------------------------|
| A - Overall Width of Blind  | D - Width of Cut-Out       |
| B - Overall Length of Blind | E - Height of Cut-Out      |
| C - Bottom Width of Blind   | F - Length of Shorter Side |



#### CENTER CUT-OUT:

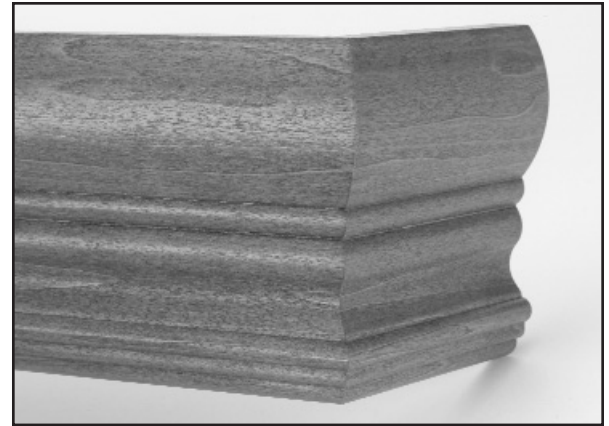
- |                             |                       |
|-----------------------------|-----------------------|
| A - Overall Width of Blind  | D - Width of Cut-Out  |
| B - Overall Length of Blind | E - Bottom Right Side |
| C - Bottom Left Side        | F - Height of Cut-Out |

**3 1/4-INCH WOOD CROWN VALANCE**

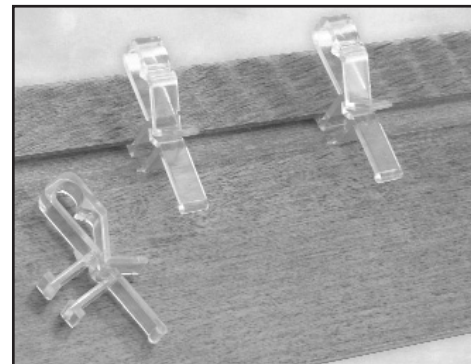
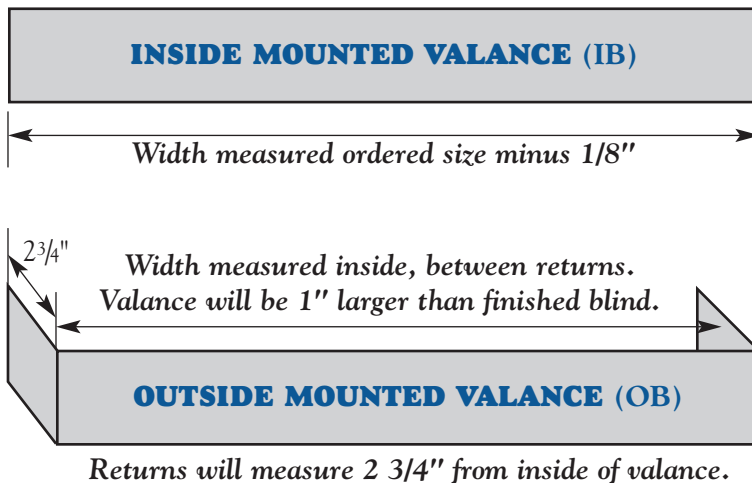
The 3 1/4-inch Wood Crown Valance is standard on all basswood blinds at no additional charge.

**MEASURING GUIDELINES FOR INSIDE MOUNTED BLINDS WITH OUTSIDE MOUNTED VALANCES**

- ❶ It is recommended to add 1-1/2" to ordered size for all Wood Crown Valance options.
- ❷ The factory measures the face of the valance for width. All returns are measured from the face of the valance front to the back.



Our Premium & Traditional Wood Blinds include at no charge a 3 1/4-inch Wood Crown Valance, shown here as an outside mount with standard returns.



Install your valance using the above hidden valance clip.

**CARE & CLEANING**

**ROUTINE CLEANING**

Premium and Traditional Wood Blinds are easy to care for. Occasional dusting with a soft, clean cloth, chemically treated dust cloth or dusting mitt will keep blinds looking new. They may also be gently cleaned with a soft, damp cloth, or low-suction vacuumed with a brush attachment.

**WARRANTY**

**LIFETIME LIMITED WARRANTY**

Premium and Traditional Wood Blinds carry a lifetime limited warranty that covers the blinds for as long as the original retail purchaser owns them, provided that the blinds were properly installed. It's the customer's assurance of satisfaction and quality.

