


**Horizontal Aluminum Blinds****THE ALUMINUM COLLECTION**

Worldwide's classic, always-appropriate 1/2" micro, 1-inch mini, and 2-inch blinds.

- ◆ Choose from more than three dozen colors and hues to perfectly match your room décor
- ◆ Standard with hidden top loaded zinc plated metal bracket for 1/2" micro and 1" mini
- ◆ 1" Mini Blinds are available in .006 and .008 gauge
- ◆ 2" standard with box brackets
- ◆ Crash proof cordlock
- ◆ Meets fire safety NFPA701 fire test #1
- ◆ Optional 1 1/2" headrail
- ◆ Optional Cordless 



*Horizontal Blinds are offered in a variety of today's fashionable colors including Jewel Tones, Pearlized, Alumiwood & Metallics, offering fashion, superior quality, affordability and overall value.*



## Horizontal Aluminum Blinds

### CUSTOM MADE ALUMINUM MINI BLIND SPECIFICATION

Steel Head Rail:	Standard headrail is 1" high by 1-1/8" U shaped channel. Phosphate coated vinyl primered finished with a polyester baked enamel. Worldwide also offers 1" high by 1-1/2" integrated headrail in limited colors.
Bottom Rail:	C shaped rail, phosphate coated and vinyl primered finished with a polyester baked enamel
Slats:	Cold rolled spring tempered virgin aluminum slat. To have normal width of 1" and be 0.006" thickness after paint, to provide maximum strength and flexibility. Slats to be finished with a polyester baked enamel. Slat with 0.008" thickness after paint is available in limited colors.
Tilter:	The tilter is worm gear design and is in an enclosed housing and secured by means of steel rivets to prevent separation. The stem is made of clear polycarbonate, the gear of polyacetal and the housing of clear polycarbonate, prelubed prior to assembly to assure durability and ease of use.
Tilt Wand:	Tilt wand is plastic measuring approximately 5/16", fluted with grooves for non slip grip. Wood wand and tassel is available with a surcharge for Alumiwood.
Cord Lock:	Cord lock is secured to the head rail channel by means of steel pins to prevent dislodgement. Lock body is constructed of clear polycarbonate, floating gear and lock pins are made of brass. Cord lock is crash- proof.
Valance:	Double slat with clips to mount to 1" headrail. Channel panel valance available for surcharge. No valance required for 1-1/2" headrail.
Tilt Drums:	Are polyacetal with steel tape fasteners to secure ladders to head rail
Drum Supports:	Constructed of polypropylene with steel cord pin to reduce friction.
Ladders:	Braided polyester with spacing of not more than 0.865" and arranged for total support of slat.
Tilt Rod:	"D" shaped and galvanized to prevent corrosion.
Lift Cord:	Is braided polyester and of sufficient length to control the raising and lowering of the blind.
Installation Bracket:	<b>Standard hidden brackets. Zine plated to prevent corrosion.</b> Box bracket with hinged door is also available on request. Constructed of cold rolled steel. Finished with polyester baked enamel. Coating to match color of blind.
Tassel:	Is cone shaped plastic.
Fire Safety:	Blind materials meet or exceed specifications required by NFPA701 fire test #1.



**COLOR COORDINATION CHART**

Color Name	1" 6g Coil	1" 8g Coil	Micro 1/2" Coil	2" Coil	1" Rails	1-1/2" Rails	Cordless Headrail	Ladder	Cord
<b>SOLID COLORS</b>									
Alabaster	017		5017	2017	017		002	017	017
Almost White	665	8665	5665	2665	665	15665	002	017	017
Apricot	263				263		002	263	263
Aqua Mist	522				522		002	374	374
Arctic Ice	189			2189	332		001	004	004
Atmosphere	610				610		N/A	027	027
Avocado	632				632		015	055	833
Beige Satin	611			2611	611		008	005	107
Biscuit	015				015		N/A	015	015
Black	012	8012	5012	2012	012	15012	025	012	012
Butter Scotch	408				408		006	015	015
Char Brown	662	8662		2662	662	15662	025	663	012
Dusty Rose	438		5438	2438	438		016	026	026
Dusty Yellow	432				432		N/A	015	015
Fawn	631		5631	2631	631		006	005	005
Federal Blue	027		5027		027		091	027	027
Garnet Red	255		5255		255		091	255	255
Gloss Black	070		5070	2070	012	15018	025	012	012
Gray Sheen	693				693		091	022	022
Gulf Blue	617			2617	027		091	027	027
Imperial Jade	178		5178	2178	178		N/A	178	178
Lavender Blue	565				565		N/A	027	027
Light Alabaster	112	8112		2112	665	15665	002	017	017
Light Aqua	566				566		091	374	374
Light Azalea	509				509		002	005	005
Light Turquoise	410				410		002	374	374
Matt White	014		5014	2014	018	15018	001	004	004
Mauve	233			2233	233		016	050	050
Pastel Peach	407		5407	2407	407		006	005	005
Pink	463		5463		463		016	020	050
Plum	455			2455	455		016	455	455
Raw Umber	606			2606	012	15012	025	012	012
Salmon	457				457		016	024	024
Smokey Gray	626		5626	2626	626		091	022	022
Teal	172		5172		172		N/A	095	095
Terra Cotta	024				024		008	024	024
Transparent Aluminum	091	8091	5091	2091	091	15091	091	022	022
True Blue	259				259		N/A	025	025
Turquoise	417				417		N/A	374	374
Vanilla	636			2636	636		002	017	017
White	018	8018	5018	2018	018	15018	001	004	004
Wisteria	502				502		091	231	231
<b>ALUMIWOOD</b>									
Jean Blue	799				799		N/A	022	022
Light Brown	759			2759	759		N/A	007	107
Oak Wood	754			2754	754		N/A	302	302
Walnut Wood	755			2755	755		N/A	007	107
<b>JEWEL/PEARL</b>									
Beige Pearl	908				611		012	005	005
Brown Gold	302				302		N/A	302	302
Sky Jewel	644		5644		644		N/A	027	027
<b>METALLIX</b>									
Brass Ingot	412				015		N/A	015	015
Mercury Silver	672				091	15091	091	022	022
Onyx Sky	119				012	15012	025	012	012
Silver Beige	1532				662	15662	012	012	012
Silver Blue	1533				091	15091	N/A	022	022
Umber Bronze	673				662	15662	012	662	012

**BRACKETS**

Standard bracket for 1/2" micro and 1" mini is hidden top mount bracket.

Box bracket available on request.

**WAND SPECIFICATION**

Drop	Wand length
=<25"	12"
25"-45"	20"
45"-55"	25"
55"-65"	30"
65"-85"	40"
85"-105"	50"
105"-125"	60"
> 125"	72"

**TOTAL # OF BRACKETS FOR 1" AND 1/2"**

STANDARD HIDDEN BRACKETS	
Width	# of Brackets
8"-36"	2
36"-60"	3
60"-85"	4
85"-105"	5
105"-120"	6

**CORDLESS HEADRAIL COLORS**

Color #	Color
001	Cotton
002	Snow White
006	Fawn
008	Pongee
012	Cocoa
015	Avocado
016	Rosette
025	Black
091	Aluminum

Standard Tassel: Clear

Standard Cord Height: Approximately 1/2 of the blind drop

Standard Brackets for 2" Box Brackets

Hardware Included  
Standard installation brackets

Optional Hardware at No Charge Per Request to Specific Order

Box Brackets for 1" and micro  
Extension brackets  
Hold down brackets  
Spacer blocks





**1-Inch Mini-Blinds**

**Price Group**  
**1**

**1-INCH MINI ALUMINUM**  
**HORIZONTAL BLINDS**  
**STANDARD RECTANGULAR**

- ◆ CLASSIC ROUTED SLATS
- ◆ 6 GAUGE SLAT

WIDTH TO ↗	23"	26"	29"	32"	36"	40"	44"	48"	52"	57"	62"	67"	72"	82"	92"	102"	112"	122"
42"	37	42	47	49	55	63	65	70	76	83	88	93	102	114	125	192	153	166
48"	42	47	49	55	63	68	72	76	81	91	96	107	112	125	135	156	168	184
54"	47	49	55	58	68	72	79	83	88	102	107	114	119	135	151	168	184	200
60"	49	55	58	65	72	79	83	88	93	109	114	122	138	147	161	184	196	212
66"	53	58	65	70	79	83	88	96	104	117	122	130	140	158	174	196	212	233
72"	58	63	68	72	81	88	93	102	107	119	125	133	142	168	192	210	228	246
78"	63	68	72	79	86	93	104	109	117	130	140	151	158	182	200	226	241	262
84"	65	70	79	85	91	102	109	117	125	140	151	158	168	192	210	236	259	280
90"	70	76	83	88	102	109	117	125	135	151	161	171	184	205	227	254	277	303
96"	76	81	88	93	109	117	121	135	147	163	177	189	200	223	246	277	301	327
102"	79	86	93	102	114	125	133	145	156	171	187	200	210	238	264	295	322	352
108"	83	91	96	107	119	131	142	153	161	182	194	208	223	249	277	311	339	367
114"	86	93	104	112	125	135	147	158	168	189	205	220	233	264	290	324	355	386
120"	91	102	109	117	130	142	156	166	177	200	212	228	243	275	303	341	371	402

2 or 3 blinds on one rail recommended for sizes to the right of this heavy line. ←

WIDTH TO ↗	23"	26"	29"	32"	36"	40"	44"	48"	52"	57"	62"	67"	72"	82"	92"	102"	112"	122"
1-1/2" Hdrl	6	7	7	9	9	10	11	11	12	14	15	15	16	18	20	22	25	26
Cordless	52	64	76	91	96	103	108	115	120	125	130	135	140	145	N/A	N/A	N/A	N/A

Note: 1-1/2" Headrail is available in white (018), light alabaster (112), transparent aluminum (091), black (012), and char brown (662)  
Maximum drop for Cordless 1" Aluminum is 82". Minimum Width for 1" Cordless is 24".

**Price Group**  
**2**

**1-INCH MINI ALUMINUM**  
**HORIZONTAL BLINDS**  
**STANDARD RECTANGULAR**

- ◆ CLASSIC ROUTED SLATS
- ◆ 8 GAUGE SLAT

WIDTH TO ↗	23"	26"	29"	32"	36"	40"	44"	48"	52"	57"	62"	67"	72"	82"	92"	102"	112"	122"
42"	45	53	59	61	68	79	81	87	93	104	111	117	126	142	156	178	190	208
48"	53	59	61	68	79	85	91	93	101	113	119	133	139	156	168	194	210	230
54"	59	61	68	71	85	91	97	104	111	126	133	142	150	168	188	210	230	249
60"	61	68	71	81	91	97	104	111	117	136	142	152	162	184	201	230	246	265
66"	65	71	81	87	97	104	111	119	130	145	152	162	176	196	216	246	265	291
72"	71	79	85	91	101	111	117	126	133	151	156	165	178	210	239	262	285	307
78"	79	85	91	97	107	117	130	136	145	162	176	188	196	227	249	281	301	327
84"	81	87	97	107	113	126	136	145	156	176	188	196	210	239	262	293	324	350
90"	87	93	104	111	126	136	145	156	168	188	201	214	230	255	285	317	346	378
96"	93	101	111	117	136	145	156	168	184	204	220	236	249	279	307	346	376	408
102"	97	107	117	126	142	156	165	182	194	214	233	249	262	298	330	368	402	440
108"	104	113	119	133	150	162	178	190	201	227	242	259	279	311	346	388	424	459
114"	107	117	130	139	156	168	184	196	210	236	255	275	291	330	362	404	442	481
120"	113	126	136	145	162	178	194	208	220	249	265	285	305	343	378	427	462	501

2 or 3 blinds on one rail recommended for sizes to the right of this heavy line. ←

WIDTH TO ↗	23"	26"	29"	32"	36"	40"	44"	48"	52"	57"	62"	67"	72"	82"	92"	102"	112"	122"
1-1/2" Hdrl	6	7	7	9	9	10	11	11	12	14	15	15	16	18	20	22	25	26
Cordless	52	64	76	91	96	103	108	115	120	125	130	135	140	145	N/A	N/A	N/A	N/A

Note: 1-1/2" Headrail is available in white (018), light alabaster (112), transparent aluminum (091), black (012), and char brown (662)  
Maximum drop for Cordless 1" Aluminum is 82". Minimum Width for 1" Cordless is 24".

**REFER TO PAGE AL9 FOR OPTIONAL SURCHARGES**



**1-Inch Mini-Blinds**

Price Group  
**3**

**1-INCH MINI ALUMINUM  
HORIZONTAL BLINDS  
STANDARD RECTANGULAR**

- ◆ CLASSIC ROUTED SLATS
- ◆ JEWEL & METALLIX™ COLLECTION

WIDTH TO ↗	23"	26"	29"	32"	36"	40"	44"	48"	52"	57"	62"	67"	72"	82"	92"	102"	112"	122"
42"	45	53	59	61	68	79	81	87	93	104	111	117	126	142	156	178	190	208
48"	53	59	61	68	79	85	91	93	101	113	119	133	139	156	168	194	210	230
54"	59	61	68	71	85	91	97	104	111	126	133	142	150	168	188	210	230	249
60"	61	68	71	81	91	97	104	111	117	136	142	152	162	184	201	230	246	265
66"	65	71	81	87	97	104	111	119	130	145	152	162	176	196	216	246	265	291
72"	71	79	85	91	101	111	117	126	133	151	156	165	178	210	239	262	285	307
78"	79	85	91	97	107	117	130	136	145	162	176	188	196	227	249	281	301	327
84"	81	87	97	107	113	126	136	145	156	176	188	196	210	239	262	293	324	350
90"	87	93	104	111	126	136	145	156	168	188	201	214	230	255	285	317	346	378
96"	93	101	111	117	136	145	156	168	184	204	220	236	249	279	307	346	376	408
102"	97	107	117	126	142	156	165	182	194	214	233	249	262	298	330	368	402	440
108"	104	113	119	133	150	162	178	190	201	227	242	259	279	311	346	388	424	459
114"	107	117	130	139	156	168	184	196	210	236	255	275	291	330	362	404	442	481
120"	113	126	136	145	162	178	194	208	220	249	265	285	305	343	378	427	462	501

2 or 3 blinds on one rail recommended for sizes to the right of this heavy line. ←

WIDTH TO ↗	23"	26"	29"	32"	36"	40"	44"	48"	52"	57"	62"	67"	72"	82"	92"	102"	112"	122"
1-1/2" Hdrl	6	7	7	9	9	10	11	11	12	14	15	15	16	18	20	22	25	26
Cordless	52	64	76	91	96	103	108	115	120	125	130	135	140	145	N/A	N/A	N/A	N/A

Note: 1-1/2" Headrail is available in white (018), light alabaster (112), transparent aluminum (091), black (012), and char brown (662)  
Maximum drop for Cordless 1" Aluminum is 82". Minimum Width for 1" Cordless is 24".

Price Group  
**4**

**1-INCH MINI ALUMINUM  
HORIZONTAL BLINDS  
STANDARD RECTANGULAR**

- ◆ CLASSIC ROUTED SLATS
- ◆ PEARL COLLECTION

WIDTH TO ↗	23"	26"	29"	32"	36"	40"	44"	48"	52"	57"	62"	67"	72"	82"	92"	102"	112"	122"
42"	47	54	60	64	70	81	85	91	97	108	114	120	131	147	161	185	199	215
48"	54	60	64	70	81	87	93	97	104	118	125	138	144	161	176	203	219	238
54"	60	64	70	74	87	93	102	108	114	131	138	147	155	176	194	219	238	259
60"	64	70	74	85	93	102	108	114	120	141	147	158	168	192	209	238	255	276
66"	68	74	85	91	102	108	114	125	135	152	158	168	182	205	226	255	276	303
72"	74	81	87	93	104	114	120	131	138	155	161	171	185	219	249	273	295	319
78"	81	87	93	102	111	120	135	141	152	168	182	194	205	236	259	292	312	339
84"	85	91	102	111	118	131	141	152	161	182	194	205	219	249	273	306	336	362
90"	91	97	108	114	131	141	152	161	176	194	209	221	238	265	295	329	360	393
96"	97	104	114	120	141	152	161	176	192	211	228	244	259	289	319	360	389	424
102"	102	111	120	131	147	161	171	188	203	221	242	259	273	309	343	383	416	457
108"	108	118	125	138	155	168	185	199	209	236	253	269	289	323	360	404	440	478
114"	111	120	135	144	161	176	192	205	219	244	265	286	303	343	377	421	460	501
120"	118	131	141	152	168	185	203	215	228	259	276	295	316	356	393	444	480	522

2 or 3 blinds on one rail recommended for sizes to the right of this heavy line. ←

WIDTH TO ↗	23"	26"	29"	32"	36"	40"	44"	48"	52"	57"	62"	67"	72"	82"	92"	102"	112"	122"
Cordless	52	64	76	91	96	103	108	115	120	125	130	135	140	145	N/A	N/A	N/A	N/A

Note: Maximum drop for Cordless 1" Aluminum is 82".. Minimum Width for 1" Cordless is 24".

**REFER TO PAGE AL9 FOR OPTIONAL SURCHARGES**



**1-Inch Mini-Blinds**

**Price Group**  
**5**

**1-INCH MINI ALUMINUM  
HORIZONTAL BLINDS  
STANDARD RECTANGULAR**

- ◆ CLASSIC ROUTED SLATS
- ◆ ALUMIWOOD™ COLLECTION

WIDTH TO ⇨	23"	26"	29"	32"	36"	40"	44"	48"	52"	57"	62"	67"	72"	82"	92"	102"	112"	122"
42"	53	60	68	71	79	90	93	102	109	119	128	135	146	165	180	206	221	239
48"	60	68	71	79	90	97	106	109	115	131	139	153	161	180	194	226	243	265
54"	68	71	79	82	97	106	113	119	128	146	153	165	172	194	217	243	265	289
60"	71	79	82	93	106	113	119	128	135	157	165	177	188	214	232	265	285	307
66"	76	82	93	102	113	119	128	139	151	168	177	188	203	228	252	285	307	338
72"	82	90	97	106	115	128	135	146	153	172	180	190	206	243	277	303	330	356
78"	90	97	106	113	123	135	151	157	168	188	203	217	228	263	289	327	349	378
84"	93	102	113	123	131	146	157	168	180	203	217	228	243	277	303	340	376	405
90"	102	109	119	128	146	157	168	180	194	217	232	248	265	297	330	367	402	438
96"	109	115	128	135	157	168	180	194	214	236	255	274	289	323	356	402	435	473
102"	113	123	135	146	165	180	190	210	226	248	269	289	303	344	382	427	464	510
108"	119	131	139	153	172	188	206	221	232	263	281	301	323	360	402	451	490	532
114"	123	135	151	161	180	194	214	228	243	274	297	318	338	382	420	469	513	559
120"	131	146	157	168	188	206	226	239	255	289	307	330	352	398	438	495	535	581

2 or 3 blinds on one rail recommended for sizes to the right of this heavy line. ←

Blinds under 12" in width will feature center wand only, no lift.  
All 1" Aluminum Blinds are available in wand tilt only.  
Blinds 12 1/8" - 18 1/4" in width will feature split controls only.

**OPTIONAL SURCHARGES:**

- ◆ Multi-Color Blinds:
  - First Added Color ..... Add \$50
  - Each Additional Color..... Add \$50
- ◆ 2 Blinds On One Headrail:
  - Price each blind individually, add together, then..... Add \$60
- ◆ 3 Blinds On One Headrail:
  - Price each blind individually, add together, then..... Add \$95
- ◆ Alumiwood:
  - Wood wand and tassel ..... Add \$14 per blind
- ◆ Under-Sized Blinds:
  - Blinds 8 1/4" - 12" Wide (Center tilt only) ..... Add \$64
  - Blinds 7"- 8" Wide (Center tilt only) ..... Add \$89
- ◆ Cut-Out Blinds:
  - Side Cut-Out ..... Add \$27 per side
  - Center Cut-Out ..... Add \$27 per blind
- ◆ Channel Valance:..... Add \$16 per blind



**Micro Mini-Blinds**

**Price Group**  
**6**

**1/2-INCH MICRO ALUMINUM  
HORIZONTAL BLINDS  
STANDARD RECTANGULAR**

- ◆ CLASSIC ROUTED SLATS
- ◆ SOLID COLLECTION

WIDTH TO ↗	23"	26"	29"	32"	36"	40"	44"	48"	52"	57"	62"	67"	72"	82"	92"	102"	112"	120"
HEIGHT TO ↘																		
42"	63	66	72	76	92	101	108	113	120	135	144	155	163	184	203	228	249	273
48"	66	72	79	83	102	109	115	125	133	150	158	169	179	201	221	253	274	298
54"	72	79	86	92	109	118	126	134	142	161	172	184	194	220	239	275	298	325
60"	77	83	93	97	115	125	135	144	155	174	187	200	211	238	263	295	324	352
66"	86	92	101	109	123	134	144	156	166	188	201	214	227	257	282	318	347	377
72"	91	97	108	113	133	142	156	166	178	201	214	227	243	275	303	340	371	404
78"	93	103	112	120	140	153	165	178	189	212	228	243	258	291	324	362	395	431
84"	101	109	118	129	150	161	177	188	201	226	242	257	275	309	341	384	420	476
90"	104	114	126	134	157	171	185	200	212	238	255	274	290	328	362	409	441	503
96"	111	120	131	140	167	179	194	210	225	252	270	289	306	347	383	431	486	529
102"	115	128	138	147	174	189	205	220	236	264	284	303	324	363	404	474	510	556
108"	120	131	142	156	182	200	215	233	249	277	298	318	338	382	422	496	535	583

2 or 3 blinds on one rail recommended for sizes to the right of this heavy line. ←

WIDTH TO ↗	23"	26"	29"	32"	36"	40"	44"	48"	52"	57"	62"	67"	72"	82"	92"	102"	112"	122"
1-1/2" Headrail	6	7	7	9	9	10	11	11	12	14	15	15	16	18	20	22	25	26

Note: 1-1/2" Headrail is available in white (018), light alabaster (112), transparent aluminum (091), black (012), and char brown (662)

**Price Group**  
**7**

**1/2-INCH MICRO ALUMINUM  
HORIZONTAL BLINDS  
STANDARD RECTANGULAR**

- ◆ CLASSIC ROUTED SLATS
- ◆ JEWEL COLLECTION

WIDTH TO ↗	23"	26"	29"	32"	36"	40"	44"	48"	52"	57"	62"	67"	72"	82"	92"	102"	112"	120"
HEIGHT TO ↘																		
42"	72	79	86	88	109	118	126	133	142	160	169	182	193	216	238	268	291	322
48"	79	86	92	98	118	129	135	146	156	176	185	200	210	236	260	297	322	351
54"	86	92	101	109	129	139	147	158	167	189	203	216	230	259	281	323	350	382
60"	90	98	109	115	135	146	160	169	182	205	219	235	249	280	308	349	381	414
66"	101	109	118	128	145	158	169	183	195	221	236	252	266	302	333	374	408	442
72"	107	115	126	134	156	168	183	195	209	236	252	266	286	323	357	402	436	476
78"	111	120	131	141	165	180	194	209	223	250	268	286	305	343	381	426	464	507
84"	118	129	140	151	176	189	208	221	236	265	285	303	323	363	402	453	494	560
90"	122	135	150	158	184	201	217	235	250	280	301	323	341	386	426	480	519	592
96"	130	141	155	166	196	211	230	248	264	297	317	340	360	409	451	507	573	624
102"	135	151	161	176	205	223	241	259	277	311	333	357	381	429	475	557	600	654
108"	142	155	167	183	214	235	253	275	291	325	350	374	398	451	497	583	630	686

2 or 3 blinds on one rail recommended for sizes to the right of this heavy line. ←

**REFER TO PAGE AL11 FOR OPTIONAL SURCHARGES**





**Micro Mini-Blinds**

**Price Group**  
**8**

**1/2-INCH MICRO ALUMINUM  
HORIZONTAL BLINDS  
STANDARD RECTANGULAR**

- ◆ CLASSIC ROUTED SLATS
- ◆ PEARL COLLECTION

WIDTH TO ⇨	23"	26"	29"	32"	36"	40"	44"	48"	52"	57"	62"	67"	72"	82"	92"	102"	112"	120"	
HEIGHT TO ⇩	42"	81	86	95	98	120	130	140	146	157	177	188	200	214	239	264	297	323	355
	48"	86	95	102	109	131	142	150	162	171	194	206	220	233	262	289	328	355	388
	54"	95	102	111	120	142	153	163	176	185	210	225	239	253	287	311	357	387	424
	60"	98	109	120	128	150	162	177	188	200	226	242	259	275	309	341	384	421	458
	66"	111	120	130	141	161	176	188	203	216	244	260	277	295	334	367	414	451	489
	72"	118	128	140	147	171	187	203	216	231	260	277	295	316	357	395	442	481	526
	78"	122	134	145	157	182	200	215	231	246	277	297	316	335	379	421	471	513	560
	84"	130	142	155	167	194	210	230	244	260	293	314	334	357	403	444	501	545	619
	90"	135	150	165	176	204	221	241	259	277	309	332	356	378	427	471	532	575	653
	96"	144	157	171	183	217	233	253	274	291	328	351	377	398	452	499	560	645	688
	102"	150	166	179	193	226	246	265	287	307	343	368	395	421	474	524	616	663	723
108"	157	171	185	203	237	259	280	303	323	360	387	414	440	497	549	645	696	758	

2 or 3 blinds on one rail recommended for sizes to the right of this heavy line. ←

**OPTIONAL SURCHARGES:**

- ◆ Multi-Color Blinds:
  - First Added Color ..... Add \$50
  - Each Additional Color..... Add \$50
- ◆ 2 Blinds On One Headrail:
  - Price each blind individually, add together, then..... Add \$60
- ◆ 3 Blinds On One Headrail:
  - Price each blind individually, add together, then..... Add \$95
- ◆ Alumiwood:
  - Wood wand and tassel ..... Add \$14 per blind
- ◆ Under-Sized Blinds:
  - Blinds 8 1/4"- 12" Wide (Center tilt only) ..... Add \$64
  - Blinds 7"- 8" Wide (Center tilt only) ..... Add \$89
- ◆ Cut-Out Blinds:
  - Side Cut-Out ..... Add \$27 per side
  - Center Cut-Out ..... Add \$27 per blind
- ◆ Channel Valance:..... Add \$16 per blind



**2-Inch Blinds**

**Price Group**  
**9**

**2-INCH ALUMINUM HORIZONTAL  
BLINDS  
STANDARD RECTANGULAR**

- ◆ CLASSIC ROUTED SLATS
- ◆ SOLID COLLECTION

WIDTH TO ↗	23"	26"	29"	32"	36"	40"	44"	48"	52"	57"	62"	67"	72"	82"	92"	102"	112"	122"	132"	142"
42"	64	69	74	81	90	97	107	113	119	138	144	156	163	185	203	232	252	275	291	312
48"	69	74	82	90	101	108	115	122	133	151	161	171	182	203	223	254	275	301	323	341
54"	74	82	91	96	108	117	128	130	142	162	176	185	196	221	244	276	300	327	350	373
60"	81	90	96	106	115	128	136	144	157	177	187	201	212	239	264	300	324	355	379	404
66"	88	95	106	112	126	136	144	158	167	188	201	214	230	257	284	322	347	381	408	433
72"	92	103	109	118	134	144	157	167	178	201	217	231	244	276	305	343	373	408	435	464
78"	97	108	117	128	141	155	166	178	190	214	231	244	260	293	325	365	397	433	464	496
84"	106	114	125	135	151	162	177	188	203	230	244	260	276	313	344	387	421	460	494	526
90"	109	119	130	141	158	174	187	201	214	239	257	275	292	330	365	410	446	486	522	557
96"	114	128	138	150	167	183	196	210	225	254	273	291	308	349	386	433	471	512	549	588
102"	122	134	144	157	177	190	206	221	237	265	286	305	324	366	408	454	495	539	580	618
108"	128	139	152	163	184	201	217	233	249	279	300	318	340	386	427	476	521	565	608	651
114"	133	144	158	171	192	210	228	244	260	292	313	335	357	404	446	501	545	593	636	679
120"	138	152	166	178	201	219	236	254	273	305	327	350	372	421	467	523	569	619	666	708
126"	142	158	172	187	210	230	246	265	284	317	340	365	389	438	486	545	593	645	694	735

2 or 3 blinds on one rail recommended for sizes to the right of this heavy line. Specify Wand or Cord Tilt.

**OPTIONAL SURCHARGES:**

- ◆ Multi-Color Blinds:
  - First Added Color ..... Add \$50
  - Each Additional Color..... Add \$50
- ◆ 2 Blinds On One Headrail:
  - Price each blind individually, add together, then..... Add \$60
- ◆ 3 Blinds On One Headrail:
  - Price each blind individually, add together, then..... Add \$95
- ◆ Alumiwood:
  - Wood wand and tassel..... Add \$14 per blind
- ◆ Under-Sized Blinds:
  - Blinds 8 1/4"- 12" Wide (Center tilt only) ..... Add \$64
  - Blinds 7"- 8" Wide (Center tilt only) ..... Add \$89
- ◆ Cut-Out Blinds:
  - Side Cut-Out ..... Add \$27 per side
  - Center Cut-Out ..... Add \$27 per blind
- ◆ Channel Valance:..... Add \$16 per blind



**2-Inch Blinds**

**Price Group**  
**10**

**2-INCH ALUMINUM HORIZONTAL  
BLINDS  
STANDARD RECTANGULAR**

- ◆ CLASSIC ROUTED SLATS
- ◆ ALUMIWOOD™ COLLECTION

WIDTH TO ⇨	23"	26"	29"	32"	36"	40"	44"	48"	52"	57"	62"	67"	72"	82"	92"	102"	112"	122"	132"	142"
42"	92	101	107	117	131	141	155	165	174	199	210	226	237	269	293	336	363	398	422	453
48"	101	107	119	130	145	157	167	177	192	217	232	248	263	293	324	367	399	436	469	496
54"	107	119	133	139	157	168	184	189	208	235	254	269	286	322	356	400	433	474	506	540
60"	118	130	139	152	167	184	199	210	227	255	270	291	308	349	383	433	470	514	549	584
66"	128	138	152	162	183	199	210	230	242	273	291	311	333	372	411	465	503	551	592	629
72"	134	147	158	172	193	209	227	242	258	291	316	334	356	400	441	499	540	592	631	674
78"	140	157	168	184	205	225	241	258	277	311	334	356	377	427	471	529	575	629	674	720
84"	152	165	180	195	217	235	257	273	292	332	355	377	400	454	500	561	610	668	716	761
90"	158	174	189	205	231	252	270	291	309	349	372	399	424	479	529	596	646	705	756	808
96"	166	184	200	217	242	264	286	305	324	367	393	422	447	505	559	629	681	744	796	853
102"	177	193	209	227	255	277	298	322	344	386	415	441	470	532	589	658	717	781	841	895
108"	184	203	219	237	266	291	316	338	361	404	433	462	494	559	620	691	754	820	882	943
114"	192	210	231	248	277	305	330	355	377	424	456	486	518	584	646	727	790	860	922	986
120"	199	219	239	258	291	317	341	368	395	441	474	506	539	610	677	758	824	898	964	1028
126"	259	289	313	339	381	416	449	483	516	576	620	662	707	798	883	991	1076	1171	1261	1338

2 or 3 blinds on one rail recommended for sizes to the right of this heavy line. Specify Wand or Cord Tilt.

**OPTIONAL SURCHARGES:**

- ◆ Multi-Color Blinds:
  - First Added Color ..... Add \$50
  - Each Additional Color..... Add \$50
- ◆ 2 Blinds On One Headrail:
  - Price each blind individually, add together, then..... Add \$60
- ◆ 3 Blinds On One Headrail:
  - Price each blind individually, add together, then..... Add \$95
- ◆ Alumiwood:
  - Wood wand and tassel ..... Add \$14 per blind
- ◆ Under-Sized Blinds:
  - Blinds 8 1/4" - 12" Wide (Center tilt only) ..... Add \$64
  - Blinds 7" - 8" Wide (Center tilt only) ..... Add \$89
- ◆ Cut-Out Blinds:
  - Side Cut-Out ..... Add \$27 per side
  - Center Cut-Out ..... Add \$27 per blind
- ◆ Channel Valance:..... Add \$16 per blind

**1 1/2" CLOTH TAPE  
COLORS FOR 2 INCH ALUMINUM**

White	Mulberry	Cappuccino	Pastel Green
Duck White	Dark Green	Russett	Canary
Fawn	Red	Black	
Beige	Royal Blue	Alice Blue	
Gray	Chocolate	Pink	

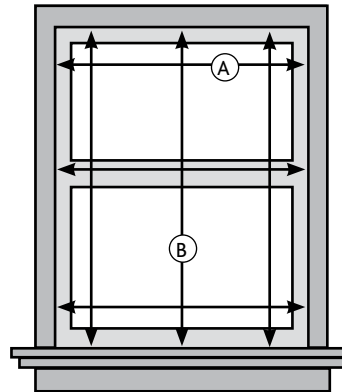
## Horizontal Aluminum Blinds

### MEASURING GUIDELINES

Accurate measurements are essential, for both correct pricing and proper fit. Use only a hard-edged ruler or steel tape, never a cloth tape. For inside mounts, width measurements should be rounded down to the nearest 1/8" to prevent blind from binding against the window casing.

#### INSIDE MOUNTING (IB)

- For width (A), measure across the window casing from one inside edge to the other in three places, top, middle, and bottom. Record the smallest width rounded down to the nearest 1/8".
- For Length (B), measure the inside area from the top inside edge down to the top of the sill in three places, left, middle and right. Record the shortest length rounded down to the nearest 1/8".
- The factory will make all the necessary deductions for inside mount.

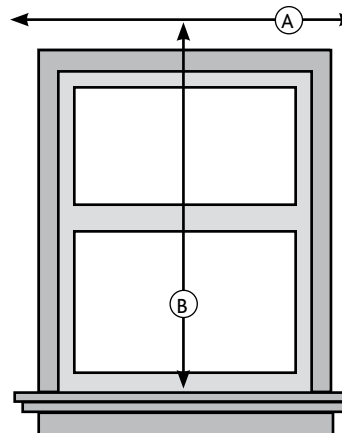


#### INSIDE BRACKET MOUNTING REQUIREMENTS:

- Minimum Depth of Mounting Surface Required for 1/2" micro & 1" mini ..... 1/2" Required for 2" ..... 1 1/8"
- Minimum Depth Required for Flush Mount for 1/2" micro & 1" mini ..... 2 1/8" Required for 2" ..... 3"

#### OUTSIDE MOUNTING (OB)

- For width (A), measure from one edge of the casing to the other, then add a minimum of 4" (2" each side), for blind overlap. Record the measurement rounded up to the nearest 1/8".
- For Length (B), measure from the top of the window sill up to the desired top of the blind. Again, record the measurements rounded up to the nearest 1/8".
- Outside mounted blinds are fabricated to order dimensions.



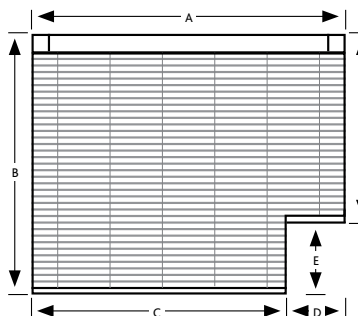
#### OUTSIDE BRACKET MOUNTING REQUIREMENTS:

- Minimum Mounting Surface Required for 1/2" micro & 1" mini ... 3/4"x1" Required for 2" ..... 1 1/8"
- Minimum Mounting Surface Required when using an Extension Bracket for 1/2" micro, 1" mini & 2" ..... 1 1/8" x 1 5/16"

#### CUT-OUTS:

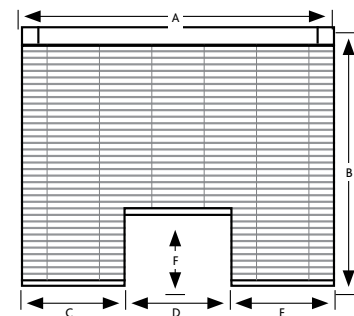
Cut-out blinds have rectangular areas removed from the blind to avoid obstructions (such as an air-conditioner). Cut-outs may be either from one of the bottom corners or from the bottom middle of the blind.

While a template is not required, when ordering a cut-out blind, a diagram of the blind with all dimensions noted must be included.



#### SIDE CUT-OUT:

- A - Overall Width of Blind  
 B - Overall Length of Blind  
 C - Bottom Width of Blind  
 D - Width of Cut-Out  
 E - Height of Cut-Out  
 F - Length of Shorter Side



#### CENTER CUT-OUT:

- A - Overall Width of Blind  
 B - Overall Length of Blind  
 C - Bottom Left Side  
 D - Width of Cut-Out  
 E - Bottom Right Side  
 F - Height of Cut-Out



## Horizontal Aluminum Blinds

### CARE & CLEANING

#### ROUTINE CLEANING

Aluminum horizontal blinds are easy to care for. Occasional dusting with a feather duster or low suction vacuuming with a brush attachment is all that is needed to keep the blind looking new. They may also be gently cleaned with a soft cloth using an over-the-counter blind cleaner.

#### MORE THOROUGH CLEANING

Aluminum horizontal blinds may be taken down and dipped in the bathtub using a mild detergent.

#### PROFESSIONAL CLEANING

Aluminum horizontal blinds may be ultrasonically cleaned for superior results.

### WARRANTY

#### LIMITED LIFETIME WARRANTY

Our ready made aluminum horizontal blinds carry a 2 year warranty. Our custom aluminum horizontal blinds carry a lifetime limited warranty that covers the blinds for as long as the original retail purchaser owns them, provided that the blinds were properly installed. It's the customer's assurance of satisfaction and quality.

