



Follow these simple instructions and your Blind installation is as EASY as 1, 2, 3.

# 1

### MOUNT BRACKETS

With Blind fully opened (Figure 1), hold up to wall in the position it will hang. Make sure Blind is centered left and right and height is correct (if Blind is too long, see shortening instructions, Figure 2).

Make sure Blind is level. Make pencil marks 1/4 inch past each end of Headrail.

Now, place Mounting Brackets in level position on pencil marks with large hole facing the floor (see Figure 1, Mounting Brackets). Secure Brackets with screws.

# 2

### SNAP ON FRONT CAPS

Slide Headrail into Mounting Brackets. Close Hinged Door.

# 3

### WAND ASSEMBLY

Slide Plastic Collar up the Tilter Shaft past the hole (See Figure 3). Place hook at the top of Wand through Tilter Shaft hole. Slide Plastic Collar down the Tilter Shaft to cover Hook. This will lock the Wand in place.

### VALANCE ASSEMBLY

Slide Valance Slats into Valance Clips onto top of Headrail (see figure A).

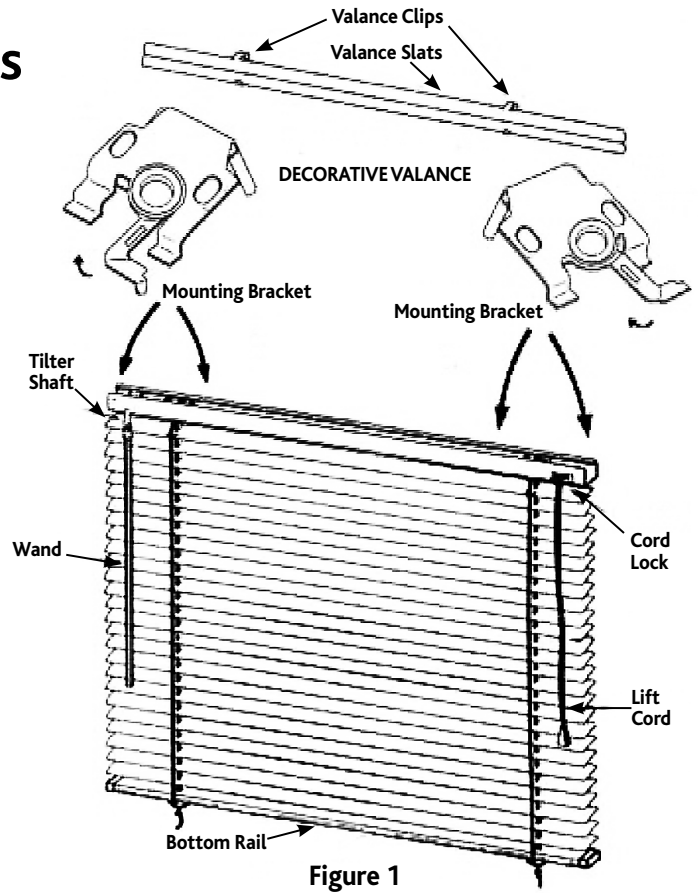


Figure 1

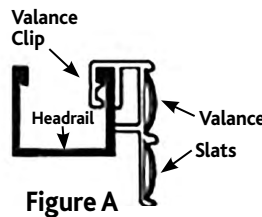


Figure A

EASY 1, 2, 3 INSTRUCTIONS FOR  
INSTALLATION AND OPERATION  
OF 1" ALUMINUM MINI-BLIND

### TO OPERATE BLINDS

Important: Always tilt Blind horizontally before raising or lowering. This increases the life of the Blind.

**To Lower Blind:** Move Cord to left pulling down gently until Cord Lock releases. Allow Cord to slip through fingers until Blind reaches desired level. Move Pull Cord to the right and release. Blind will lock automatically.

**To Raise Blind:** Pull Cord downward until Blind reaches desired height; release Cord and Blind locks automatically.

**To Tilt Blind:** Rotate Wand to attain desired Slat positions.

**To Shorten Blind:** After installing Blind, check to see exactly how much shorter Blind should be. First, remove Bottom Rail Buttons with screwdriver. Untie Knot in Lift Cord. Pull Cord through hole in Bottom Rail and holes in Slats to desired shortening point. Remove Bottom Rail and extra Slats. Replace Bottom Rail onto Ladders nearest desired shortening point. Insert Lift Cord through the hole in the Bottom Rail and through Buttons and re-tie the knot. Re-tie the string tape around the Bottom Rail. Cut off excess string tape leaving (1") inch on ends. Insert these ends into Bottom Rail holes and replace Buttons.

### INCLUDED IN PACKAGE:

- One (1) blind assembly
- Two (2) mounting brackets
- Three (3) mounting brackets (for blinds over 50" wide only)
- Two (2) valance slats (with clips)
- One (1) wand

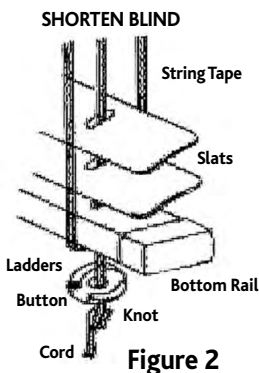


Figure 2

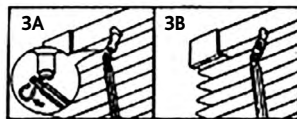
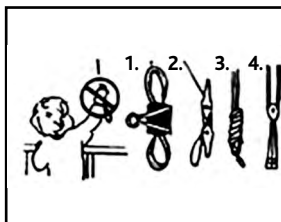


Figure 3



### WARNING

To avoid possible strangulation, keep cords out of the reach of children. Use these devices:

1. Clamp or close pin
2. Cleat
3. Tie the cord to itself
4. Tie-down device

### ADVERTENCIA

PARA EVITAR EXTRANGULACION. MANTENGA LOS CORDONES FUERA DE EL ALCANCE DE LOS NIÑOS:

1. CLIPS DE PAPELO O ROPA
2. UN CLEAT PARA CORDON
3. 3. AMARRE EL CORDON ENTRE SI
4. TENSIONADOR DE CORDONES