



THE FAUX WOOD COLLECTION

For the value-minded, Worldwide offers a handsome selection of **Faux Wood Blinds** with the look and feel of genuine wood – but at more economical prices. Available in a variety of lively colors, these blinds feature:

- ◆ 2-inch warp-free slats that are resistant to high humidity and moisture
- ◆ 3 1/4-inch crown valance included at no additional charge
- ◆ Braided ladder construction

Options include:

- ◆ Routless slat design (no visible cord holes)
- ◆ Designer decorative tape construction to provide accent color or coordinate with your room décor
- ◆ Battery-operated tilt motorization and remote control
- ◆ Slat cut-outs to clear window obstructions
- ◆ Child safe cordless option available



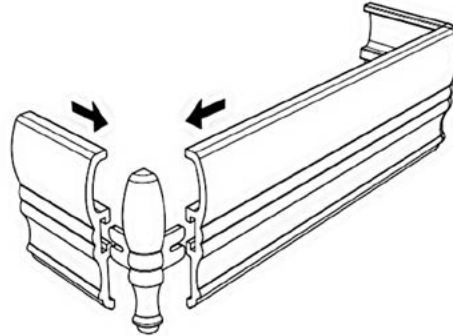


FAUX WOOD LIMITED

Faux Wood Limited Cordless is an attractively priced alternative when the full range of sizes, colors and options available in our custom Faux Wood program is not required. Faux Wood Limited Cordless blinds are pre-made and cut to size and carry a 3 Year Warranty.

FEATURES

- ◆ Cordless Technology
- ◆ Wand Tilt Only
- ◆ 3 1/4" Crown Valance, 2 3/4" Standard Returns
- ◆ **PVC Headrail**
- ◆ Available in White Smooth Only



NOT AVAILABLE IN FAUX WOOD LIMITED:

- ◆ Cloth and Decorative Tapes
- ◆ 2 or 3 blinds on one head rail
- ◆ Common valance
- ◆ Routless
- ◆ Motorized

Price Group

FL

2-INCH FAUX WOOD LIMITED CORDLESS HORIZONTAL BLINDS STANDARD RECTANGULAR

WIDTH TO ▷	24"	28"	32"	36"	42"	48"	54"	60"	66"	72"
HEIGHT TO ↕ 36"	92	111	119	128	139	148	171	188	202	220
48"	105	117	124	132	145	153	176	194	209	227
60"	117	131	140	147	166	174	198	232	253	274
74"	121	135	144	153	171	179	204	239	260	282

Minimum Width 20"

Minimum Height 24"

Wand Tilt Only

3 1/4" Crown Valance Available
in White only PVC Headrail

The above blinds are only available with cordless operation. Orders for Fauxwood Limited Cordless cannot be combined custom Fauxwood Blinds as the colors will not match.

To determine your cost use the same multiplier you currently use on our standard Faux Wood Collection.



Price Group
F1

**2-INCH FAUX WOOD
HORIZONTAL BLINDS
STANDARD RECTANGULAR**

- ◆ **SMOOTH (FW) & TEXTURED (FWT)**
• Bright White (FW901, FWT1001) • Pearl (FW903, FWT1003)
• Snow (FW902, FWT1002) • Oyster (FW904, FWT1004)

WIDTH TO ↗	24"	28"	32"	36"	42"	48"	54"	60"	66"	72"	84"
30"	72	79	85	91	103	109	121	128	142	164	180
36"	79	85	95	101	115	123	131	140	157	179	210
42"	85	95	101	107	123	133	144	152	171	193	228
48"	92	101	107	117	131	144	154	163	186	210	244
54"	100	107	117	126	142	154	163	179	197	223	263
60"	105	115	124	134	148	163	175	188	212	239	280
66"	109	123	133	144	159	173	187	201	226	255	300
73"	118	129	140	152	171	181	197	213	239	272	319
78"	124	136	147	158	179	195	210	226	253	285	334
86"	131	144	155	170	188	205	223	237	265	302	361
96"	144	157	172	186	207	226	244	262	296	329	390
108"	155	172	187	201	226	246	264	285	322	361	426
126"	169	189	204	216	247	268	291	305	351	392	460

To price multiple blinds on one headrail: Price each blind individually then add surcharge below.

Multiple Blinds On One Headrail
Recommended for sizes to the right of this heavy line.

Cordless Surcharge

WIDTH TO ↗	24	36	40	48
	38	40	43	44

OPTIONS & SURCHARGES:

- Two Blinds on One Headrail Add \$61
- Three Blinds on One Headrail Add \$72
- Cut-Outs Add per cut-out \$61
- Routless..... Add per blind 20%
- 1 1/2-inch Cloth Tape Add per blind 20%
- Decorative Trims Add per blind 50%
- Undersize Surcharge Add per blind \$61
(Blinds under 12" wide)
- Crown Valance \$10.00 per foot
- Wood Slat \$3.00 per foot

**FACTORY ALLOWANCES
& DEDUCTIONS:**

+ or - 1/8" variance

	INSIDE MOUNT	OUTSIDE MOUNT
Headrail.....	Less 1/2"	Ordered Size
Slats.....	Less 1/2"	Ordered Size
Valance.....	Less 1/8"	Plus 1"

**2" FAUX WOOD LADDER SPACING
& APPROX. STACKING HEIGHT:**

BLIND WIDTH	NO. OF LADDERS	NO. OF CORDS	BLIND LENGTH	STACKING HEIGHT
8" - 21"	2	2	24"	5"
21 1/8" - 32"	3	2	36"	6"
32 1/8" - 40"	4	2	48"	7"
40 1/8" - 46"	4	3	60"	8"
46 1/8" - 58"	5	3	72"	9"
58 1/8" - 70"	6	4	84"	10"
70 1/8" - 82"	7	4	96"	11"
82 1/8" - 96"	8	4		

SPECIFICATIONS:

- Headrail Size..... 2" x 2 1/4"
- Minimum Width net 6 1/2"
- Maximum Width (single blind) 84"
- Minimum Length 12"
- Maximum Length..... 126"
- Recommended Maximum Width (single blind) 72"
(Over 72", two or three blinds on one headrail is recommended.)
- Minimum Width Cordless 26"
- Maximum Width Cordless 48"
- Maximum Length Cordless 72"
- Minimum Mounting Space 1 1/8"
- Flush Mounting Space Required..... 3"
- Outside Mount Flat Space Required..... 2 1/4"
- Outside Valance Returns 2 3/4"
- Cord Tilt Standard - Wand Tilt Optional
- Blinds that measure 10" - 11 1/2" net width require center tilt only
- cord or wand.
- Blinds that measure 6 1/2" - 9 7/8" net width require center wand tilt only.
- Faux Wood (PVC) blinds must have split controls (LR or RL) to comply with warranty specifications. We will make blinds with group controls if requested, however, this will void warranty. Controls cannot be grouped for blinds under 24".

**1 1/2" CLOTH TAPE
COLORS**

515 Alice Blue	378 Cocoa	516 Pink
513 Beige	520 Dark Green	627 Powder
524 Black	429 Desert Tan	521 Red
600 Bone	511 Duck	522 Royal Blue
293 Bordeaux	512 Fawn	526 Rust
518 Canary	572 Forest	823 Silver
525 Cappuccino	685 Midnight	336 Toffee
503 Celadon	504 Moss	302 Taupe
334 Cherry	519 Mulberry	510 White
523 Chocolate	517 Pastel Green	430 Wheat



Price Group
F2

**2-INCH FAUX WOOD
HORIZONTAL BLINDS**
STANDARD RECTANGULAR

◆ **STAINS (FWS)**

- Natural (FWS801) • Maple (FWS802) • Golden Oak (FWS803)
- Sienna (FWS804) • Cherry (FWS805) • Chestnut (FWS806)
- Mahogany (FWS807)

WIDTH TO ↘	24"	28"	32"	36"	42"	48"	54"	60"	66"	72"	84"
30"	79	87	93	100	113	121	132	140	157	181	198
36"	87	93	105	112	125	136	145	154	173	197	230
42"	93	105	112	117	136	146	158	166	188	212	251
48"	101	112	117	129	145	158	169	180	204	230	268
54"	109	117	129	139	157	169	180	197	216	245	289
60"	115	125	137	147	163	180	193	206	234	263	309
66"	121	136	146	158	175	190	205	221	248	280	329
73"	130	142	154	166	188	199	216	235	263	298	351
78"	137	148	162	174	197	214	230	248	279	313	367
86"	145	158	170	186	206	226	245	260	292	333	396
96"	158	173	189	204	228	248	268	288	326	362	428
108"	170	189	205	221	248	271	291	313	355	396	469
126"	185	207	223	238	272	295	319	336	386	432	507

To price multiple blinds on one headrail: Price each blind individually then add surcharge below.

Multiple Blinds On One Headrail
Recommended for sizes to the right of this heavy line.

Cordless Surcharge

WIDTH TO ↘	24	36	40	48
	38	40	43	44

OPTIONS & SURCHARGES:

- Two Blinds on One Headrail Add \$61
- Three Blinds on One Headrail Add \$72
- Cut-Outs Add per cut-out \$61
- Routless..... Add per blind 20%
- 1 1/2-inch Cloth Tape Add per blind 20%
- Decorative Trims Add per blind 50%
- Undersize Surcharge Add per blind \$61
(Blinds under 12" wide)
- Crown Valance \$10.00 per foot
- Wood Slat \$3.00 per foot

**FACTORY ALLOWANCES
& DEDUCTIONS:**

+ or - 1/8" variance

	INSIDE MOUNT	OUTSIDE MOUNT
Headrail.....	Less 1/2"	Ordered Size
Slats.....	Less 1/2"	Ordered Size
Valance.....	Less 1/8"	Plus 1"

**2" FAUX WOOD LADDER SPACING
& APPROX. STACKING HEIGHT:**

BLIND WIDTH	NO. OF LADDERS	NO. OF CORDS	BLIND LENGTH	STACKING HEIGHT
8" - 21"	2	2	24"	5"
21 1/8" - 32"	3	2	36"	6"
32 1/8" - 40"	4	2	48"	7"
40 1/8" - 46"	4	3	60"	8"
46 1/8" - 58"	5	3	72"	9"
58 1/8" - 70"	6	4	84"	10"
70 1/8" - 82"	7	4	96"	11"
82 1/8" - 96"	8	4		

SPECIFICATIONS:

- Headrail Size..... 2" x 2 1/4"
- Minimum Width net 6 1/2"
- Maximum Width (single blind) 84"
- Minimum Length 12"
- Maximum Length..... 126"
- Recommended Maximum Width (single blind) 72"
(Over 72", two or three blinds on one headrail is recommended.)
- Minimum Width Cordless 26"
- Maximum Width Cordless 48"
- Maximum Length Cordless 72"
- Minimum Mounting Space 1 1/8"
- Flush Mounting Space Required..... 3"
- Outside Mount Flat Space Required..... 2 1/4"
- Outside Valance Returns 2 3/4"

Cord Tilt Standard - Wand Tilt Optional

Blinds that measure 10" - 11 1/2" net width require center tilt only
- cord or wand.

Blinds that measure 6 1/2" - 9 7/8" net width require center wand tilt only.

Faux Wood (PVC) blinds must have split controls (LR or RL) to comply with warranty specifications. We will make blinds with group controls if requested, however, this will void warranty. Controls cannot be grouped for blinds under 24".

**1 1/2" CLOTH TAPE
COLORS**

515 Alice Blue	378 Cocoa	516 Pink
513 Beige	520 Dark Green	627 Powder
524 Black	429 Desert Tan	521 Red
600 Bone	511 Duck	522 Royal Blue
293 Bordeaux	512 Fawn	526 Rust
518 Canary	572 Forest	823 Silver
525 Cappuccino	685 Midnight	336 Toffee
503 Celadon	504 Moss	302 Taupe
334 Cherry	519 Mulberry	510 White
523 Chocolate	517 Pastel Green	430 Wheat

MOTORIZED HORIZONTAL BLINDS

Now you can automate the operation of your 2-inch Faux Wood Blinds from Worldwide – the ultimate in convenience and the perfect solution for hard-to-reach windows.

- ◆ Appropriate for both routed and routless blinds
- ◆ Battery-powered motorization utilizes RTS radio frequency with multi channel technology
- ◆ Virtually silent, maintenance-free operation
- ◆ Easy-to-use remote control
- ◆ Eliminates the need for tilt wands or cord tilts

BATTERY OPERATION:

Eight double AA lithium batteries are included with each motor. The battery pack can be placed in or behind the headrail.

RADIO FREQUENCY REMOTE:

Radio frequency remote will operate individual or multiple blinds at one time.

SURCHARGES & OPTIONS:

Radio frequency motor	Add \$400.00
Reloadable Battery Tube.....	Add \$75.00
AA Lithium Battery 8 Pack.....	Add \$85.00
Telis 1 Pure remote control single channel*	Add \$160.00
Telis 4 Pure remote control multiple channel (up to 5)*.....	Add \$205.00
Telis 1 Modulis Pure remote control single channel*.....	Add \$285.00
Telis 4 Modulis Pure remote control multiple channel (up to 5)*.....	Add \$385.00

2" Faux Wood Blinds: Maximum 60" x 60"

**Remote control is not included with motorized blind. Please order remote control as a separate item and add surcharge above.*

To figure your cost of finished blind take list price of standard blind, add price for motorization and remote control above, then deduct your Faux Wood Blind discount.

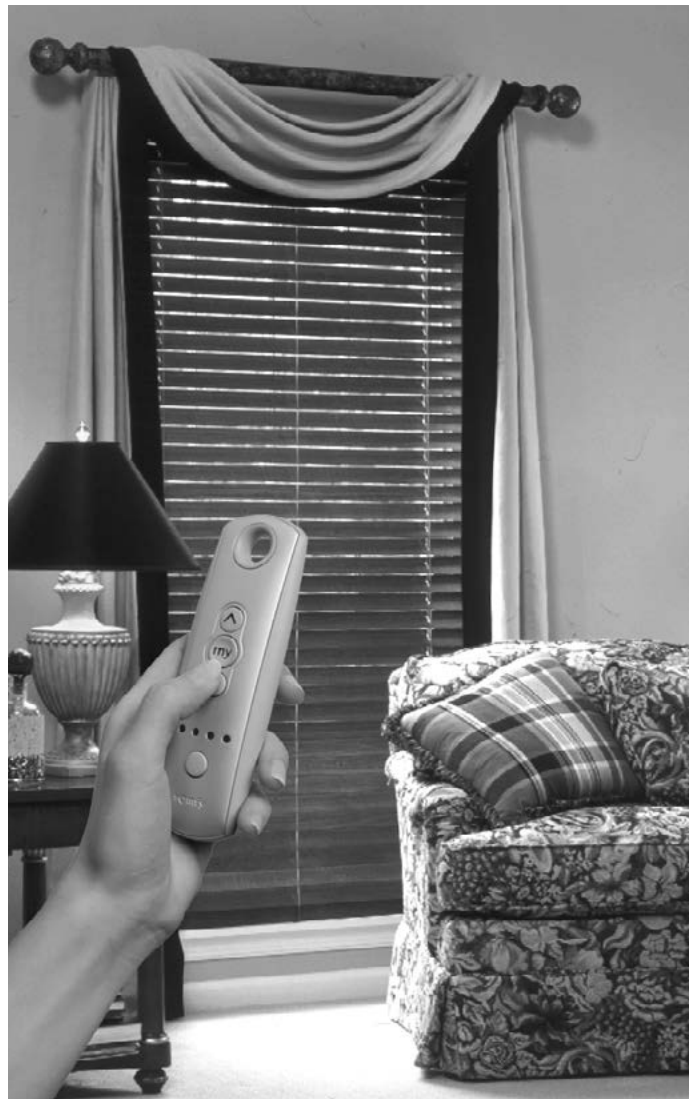


Push-Button Blinds

Imagine pushing a button and watching as your fashionable horizontal blinds tilt open or close to conveniently provide shade from the sun, privacy when you want it, or allow light to enter as you wish. All this is yours when you add Worldwide Window Fashions motorization.

Easy to Use

Simply point the sleek remote control toward the blinds and press the button. Horizontal blinds will tilt open and closed.





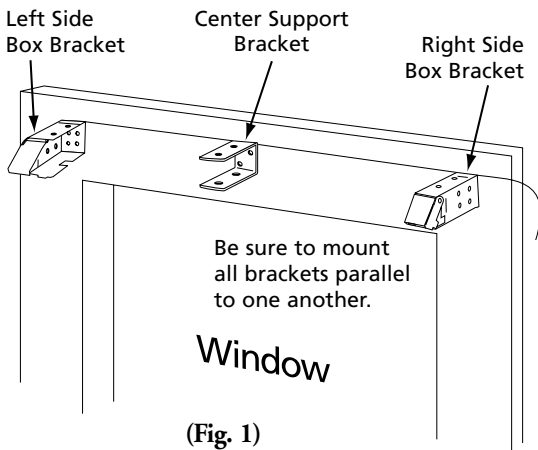
MOUNTING BRACKETS

The box style mounting brackets are designed to work in all possible mounting applications. The diagram below indicates which screw holes to use for each option. (Fig. 4)

Mount brackets as shown below. Always use all brackets supplied. Blinds over 48" wide must have one support bracket, and blinds over 72" wide must have two. Space the support brackets as evenly as possible between the two end brackets. There should be no more than 48" between any two brackets.

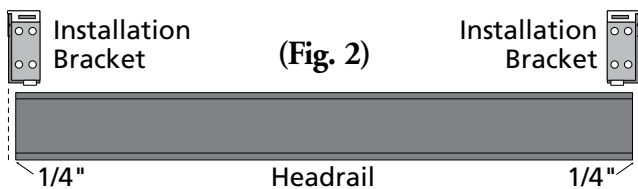
Important: Avoid positioning support brackets in line with blind ladders or tapes. Blinds over 114" in height and multiple blinds on one headrail over 96" wide require an additional support bracket positioned 7" from the cordlock end of the headrail.

Use two screws to attach each support bracket. Locate the screws diagonally. Make sure the support bracket's top and back surfaces are aligned with the top and back surfaces of the two installation brackets. (Fig. 1)

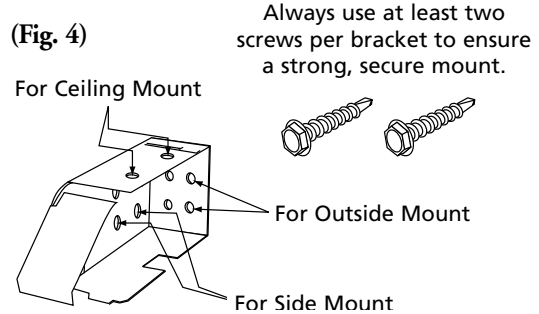
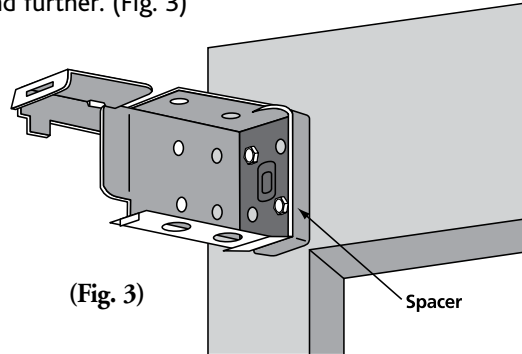


OUTSIDE MOUNT

First, mark where to attach the two installation brackets. Hold the blind up to the window in the position where you want it installed. With the blind centered and level, mark the surface 1/4" past each end of the headrail. (Fig. 2)



Attach the installation brackets to the wall or molding with two screws. Position the screws, as shown (Fig. 4). Note that spacers can be used to project the blind further. (Fig. 3)

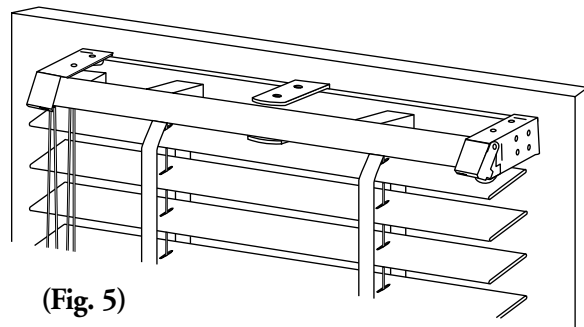


BRACKETS REQUIRED

All blinds require two end brackets.
All 2 on 1's receive 1 center support bracket.
All 3 on 1's receive 2 support brackets. Center support brackets for 2 on 1's and 3 on 1's should be placed between panels.

Blind Width	# of Center Support Brackets
Over 48"	1
Over 72"	2

Position the headrail in the box brackets as shown (Fig. 5). Swing the covers down and snap them closed. Important: Attach the valance clips before installing the headrail. See the "Valance Attachment" section (Fig. 10) on next page.

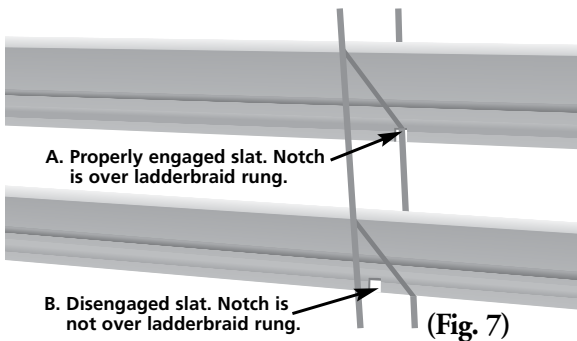




**ROUTLESS BLIND/PRIVACY
SLAT INSTALLATION NOTE**

Due to the unique stringing method of Routless Blinds, the slats may become disengaged during shipping, installation, and aggressive use. To ensure proper operation of the Routless/Privacy Slat Blind it is important to check the engagement of the slats on the ladderbraid. The notch in the slat should align with the ladderbraid.

Slat A is properly engaged while slat B has disengaged. To fix a disengaged slat, simply move the slat by hand until the notch is properly seated on the ladderbraid.



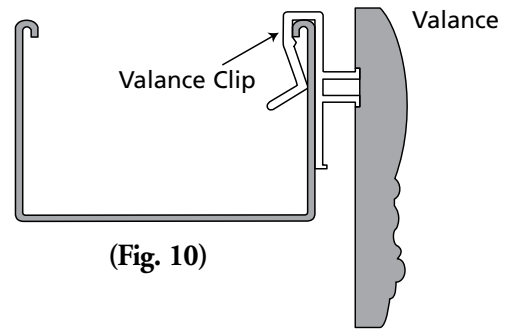
VALANCE ATTACHMENT

Your blinds will be shipped with valance clips for attaching the valance.

WHEN USING VALANCE CLIPS:

Install one clip on each end and space any others evenly in between, no more than 48" apart.

Important: Install the valance clips before mounting the headrail. (Fig. 10) Then, after mounting the headrail, attach the valance. Simply snap the valance into the valance clips.



**ROUTLESS BLIND/PRIVACY
SLAT OPERATION INSTRUCTIONS**

For optimal performance, Routless Blinds should only be raised or lowered when the slats are in the horizontal position.

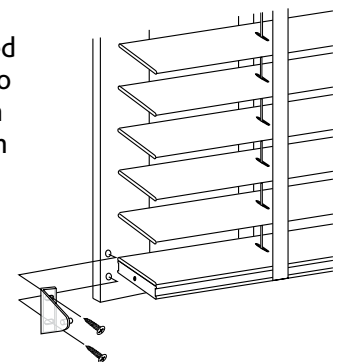
(Fig. 8)



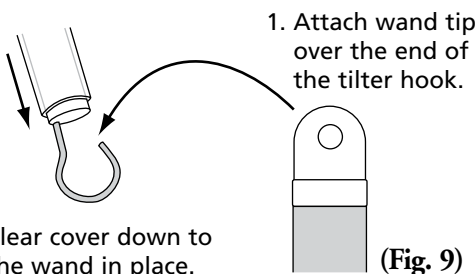
HOLD DOWN BRACKETS

Made of molded clear plastic. Fits into predrilled hole in the bottom rail to secure the bottom rail in place. (Generally used on door shades.) (Fig. 12)

(Fig. 12)



TILT WAND ATTACHMENT



CHILD SAFETY

An important consideration in any blind installation is child safety. To prevent serious injuries or strangulations, all cords must be kept out of the reach of children. Cord-stops or other methods of keeping the cords from hanging within reach of a child should be utilized.

⚠ WARNING:
Young children can become entangled and strangle in cords. Keep all cords out of the reach of children.

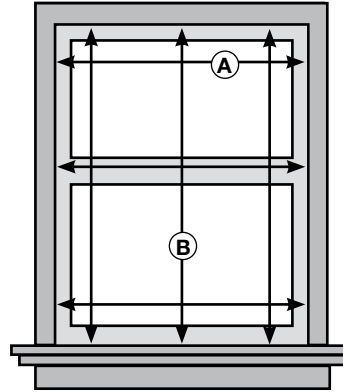


FAUX WOOD MEASURING GUIDELINES

Accurate measurements are essential, for both correct pricing and proper fit. Use only a hard-edged ruler or steel tape, never a cloth tape. For inside mounts, width measurements should be rounded down to the nearest 1/8" to prevent blind from binding against the window casing.

INSIDE MOUNTING (IB)

- For width (A), measure across the window casing from one inside edge to the other in three places, top, middle, and bottom. Record the smallest width rounded down to the nearest 1/8".
- For Length (B), measure the inside area from the top inside edge down to the top of the sill in three places, left, middle and right. Record the shortest length rounded up to the nearest 1/8".
- The factory will make all the necessary deductions for inside mount.

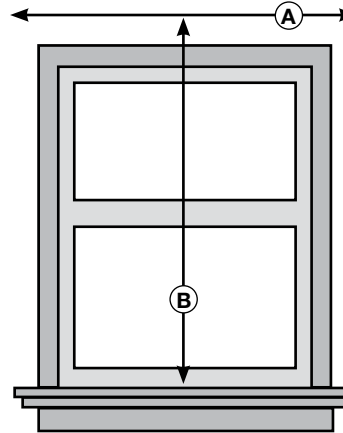


INSIDE BRACKET MOUNTING REQUIREMENTS:

- Minimum Depth of Mounting Surface Required:..... 1 1/8"
- Minimum Depth Required for Flush Mount:..... 3"

OUTSIDE MOUNTING (OB)

- For width (A), measure from one edge of the casing to the other, then add a minimum of 4" (2" each side), for blind overlap. Record the measurement rounded up to the nearest 1/8".
- For Length (B), measure from the top of the window sill up to the desired top of the blind. Again, record the measurements rounded up to the nearest 1/8".
- Outside mounted blinds are fabricated to order dimensions.

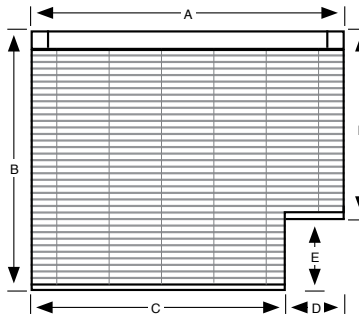


OUTSIDE BRACKET MOUNTING REQUIREMENTS:

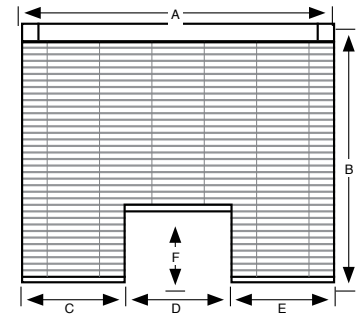
- Minimum Mounting Surface Required:..... 2 1/4" x 1"
- Minimum Mounting Surface Required when using an Extension Bracket:..... 1 1/8" x 1 5/16"

CUT-OUTS:

Cut-out blinds have rectangular areas removed from the blind to avoid obstructions (such as an air-conditioner). Cut-outs may be either from one of the bottom corners or from the bottom middle of the blind. While a template is not required, when ordering a cut-out blind, a diagram of the blind with all dimensions noted must be included.



SIDE CUT-OUT:
A - Overall Width of Blind D - Width of Cut-Out
B - Overall Length of Blind E - Height of Cut-Out
C - Bottom Width of Blind F - Length of Shorter Side



CENTER CUT-OUT:
A - Overall Width of Blind D - Width of Cut-Out
B - Overall Length of Blind E - Bottom Right Side
C - Bottom Left Side F - Height of Cut-Out

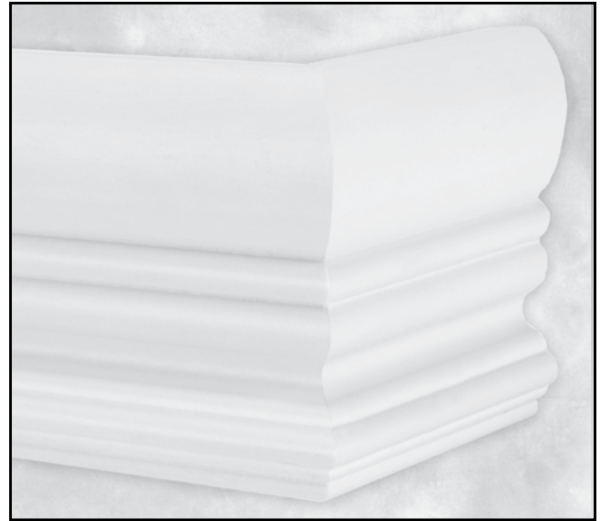
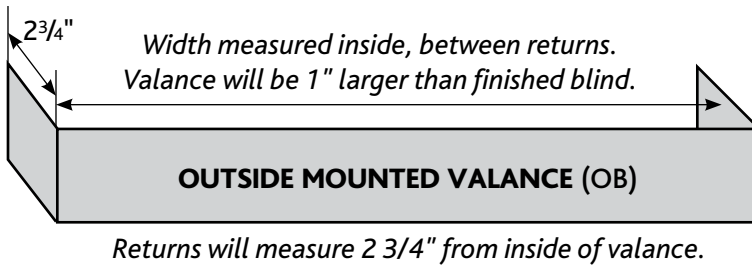
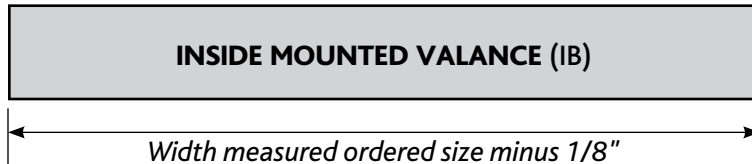


3 1/4-INCH FAUX WOOD CROWN VALANCE

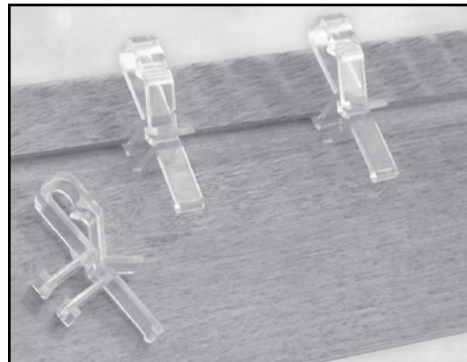
The 3 1/4-inch Faux Wood Crown Valance is standard on all Faux Wood blinds at no additional charge.

MEASURING GUIDELINES FOR INSIDE MOUNTED BLINDS WITH OUTSIDE MOUNTED VALANCES

- 1 It is recommended to add 1-1/2" to ordered size for all Faux Wood Crown Valance options.
- 2 The factory measures the face of the valance for width. All returns are measured from the face of the valance front to the back.



Faux Wood Vinyl Alternative
3 1/4-inch Crown Valance



Install your valance using the above hidden valance clip.

CARE & CLEANING

ROUTINE CLEANING

Faux Wood vinyl and composite wood horizontal blinds are easy to care for. Occasional dusting with a feather duster or low suction vacuuming with a brush attachment is all that is needed to keep these blinds looking like new. They may also be gently cleaned with a soft cloth using an over-the-counter blind cleaner.

MORE THOROUGH CLEANING

Faux Wood vinyl and composite wood horizontal blinds may be taken down and dipped in the bathtub using a mild detergent.

WARRANTY

LIMITED WARRANTY

Faux Wood horizontal blinds carry a limited warranty that covers the blinds for as long as the original retail purchaser owns them, provided that the blinds were properly installed. Faux Wood Limited carry a 3 year warranty. For more details see Warranty page in General Information section of our Price & Reference Guide.

