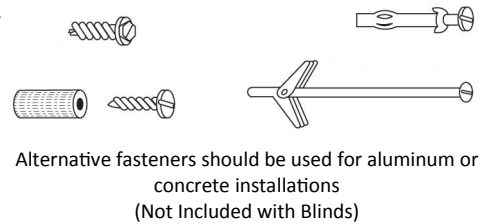
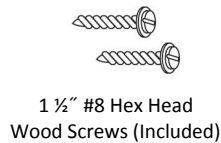


Panel Track Installation Instructions

Please follow these Installation Instructions

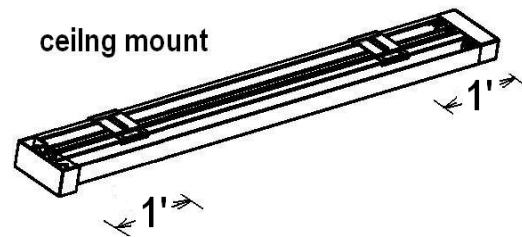
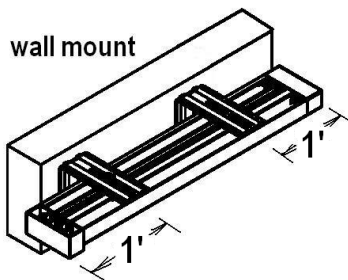
You will need a pencil, tape measure, drill, screwdriver, pliers, and appropriate fasteners.

Step 1: Choose the Correct Fastener

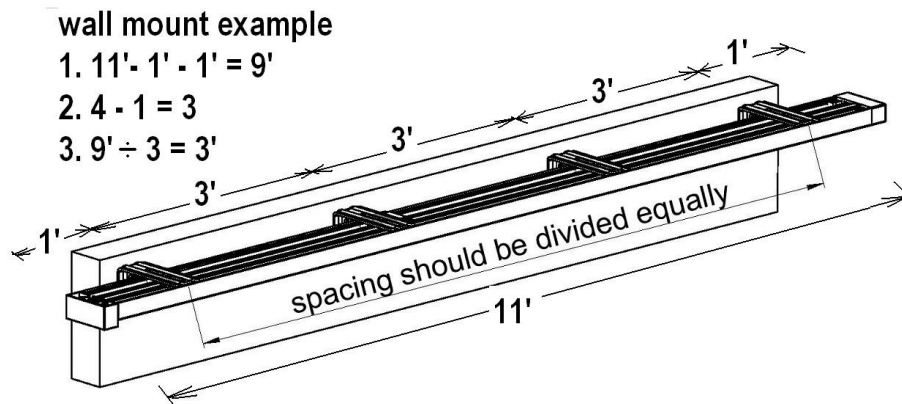


Step 2: Bracket Installation

Installation brackets should be installed approximately 1 foot (12") from each end of the panel track.



Additional brackets should be used when panel track is over 6 feet wide. Make sure all brackets are equally spaced.



Step 3: Panel Installation

Secure fabric panels to siding rails by pressing the Velcro strip sewn to the fabric panels to the Velcro attached to the sliding rail.